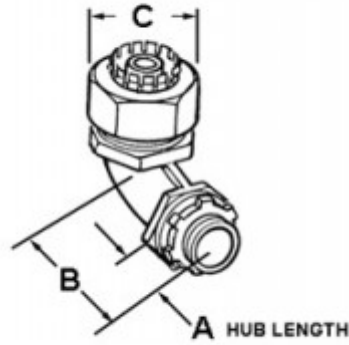


## Connector, Liquid Tight, Cast Zinc, Size 1-1/2 Inch

90 Degree connector for use with metallic and nonmetallic "Type B" liquid tight conduit. 1" and up cast zinc. Liquidtight connectors are suitable for use in Class I, Div 2; Class II, Div 1 and 2; and Class III, Div 1 and 2 hazardous locations.

[Download Photo](#)[Download Drawing](#)

### Product details

<b>Catalog Number:</b>	474-LT2
<b>UPC Number:</b>	781747154743
<b>Finish:</b>	Zinc electro-plate
<b>Trade Size:</b>	1-1/2"
<b>Unit Quantity:</b>	2
<b>Standard Package Quantity:</b>	10

### Dimensions

<b>Trade Size:</b>	1-1/2"
<b>Dimensions A:</b>	5/8
<b>Dimensions B:</b>	2-11/16
<b>Dimensions C:</b>	2-11/16

### Certifications & Codes

**Federal Specification Number:** A-A-50552**UL File Number:** E9391**CSA File Number:** LR39354**UNSPSC:** 39121420**Nema Standard:** FB-1**UL Standard:** UL-514B