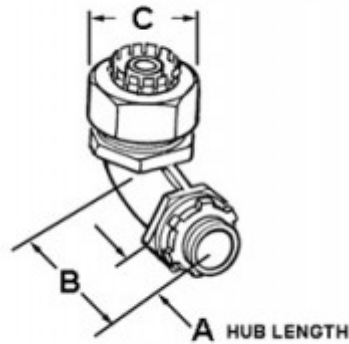


Connector, Liquid Tight, Cast Zinc, Size 1-1/4 Inch

90 Degree connector for use with metallic and nonmetallic "Type B" liquid tight conduit. 1" and up cast zinc. Liquidtight connectors are suitable for use in Class I, Div 2; Class II, Div 1 and 2; and Class III, Div 1 and 2 hazardous locations.

[Download Photo](#)[Download Drawing](#)

Product details

Catalog Number:	473-LT2
UPC Number:	781747154736
Finish:	Zinc electro-plate
Trade Size:	1-1/4"
Unit Quantity:	5
Standard Package Quantity:	25

Dimensions

Trade Size:	1-1/4"
Dimensions A:	5/8
Dimensions B:	2-7/16
Dimensions C:	2-9/16

Certifications & Codes

Federal Specification Number: A-A-50552

UL File Number: E9391

CSA File Number: LR39354

UNSPSC: 39121420

Nema Standard: FB-1

UL Standard: UL-514B