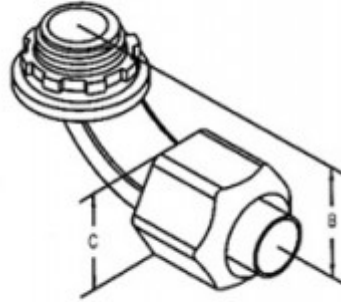


## Connector, Liquid Tight, 90 Degree Non-Metallic, Size 1 Inch

90 Degree Connector for use with non-metallic "Type B" liquid tight conduit. Liquidtight connectors are suitable for use in Class I, Div 2; Class II, Div 1 and 2; and Class III, Div 1 and 2 hazardous locations.

[Download Photo](#)[Download Drawing](#)

### Product details

<b>Catalog Number:</b>	472-NMLT
<b>UPC Number:</b>	781747404725
<b>Primary Materials:</b>	Nylon
<b>Finish:</b>	Plain
<b>Trade Size:</b>	1"
<b>Unit Quantity:</b>	5
<b>Standard Package Quantity:</b>	25

### Dimensions

<b>Trade Size:</b>	1"
<b>Dimensions A:</b>	9/16
<b>Dimensions B:</b>	1-3/4
<b>Dimensions C:</b>	2-3/16

### Certifications & Codes

**Federal Specification Number:** A-A-50552**UL File Number:** E9391**UNSPSC:** 39121420**Nema Standard:** FB-1**UL Standard:** UL-514B