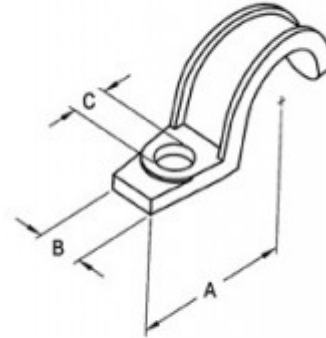


Strap, One Hole Pipe, Malleable Iron, Size 3/4 Inch

To support rigid conduit and IMC to mounting surface.

[Download Photo](#)[Download Drawing](#)

Product details

Catalog Number:	902
UPC Number:	781747009029
Primary Materials:	Malleable Iron
Finish:	Zinc electro-plate
Trade Size:	3/4"
Standard Package Quantity:	100

Dimensions

Trade Size:	3/4"
Dimensions A:	1-3/4
Dimensions B:	3/4
Dimensions C:	5/16

Certifications & Codes

UL File Number: E161206 cULus

CSA File Number: LR39354

UNSPSC: 31162906

UL Standard: UL-514B