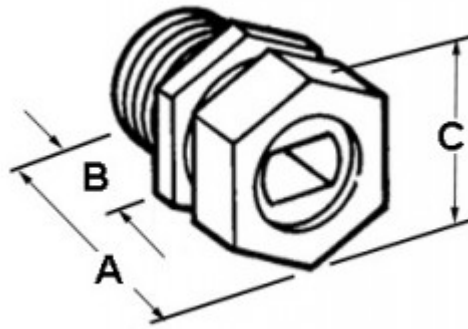


Service Entrance, Cable Connector, Zinc Die Cast, Grommet Opening Size .900 x 1.500 Inch

Compression type connector which provides watertight seal around service entrance cable.

[Download Photo](#)[Download Drawing](#)

Product details

Catalog Number:	766-4
UPC Number:	781747766403
Primary Materials:	Zinc Die Cast
Finish:	Ball burnished, mirror smooth
Trade Size:	2"
Standard Package Quantity:	10

Dimensions

Trade Size:	2"
Dimensions A:	2-1/4
Dimensions B:	3/4
Dimensions C:	2-5/8

Certifications & Codes

UNSPSC: 39121431

Country Of Manufacture: USA