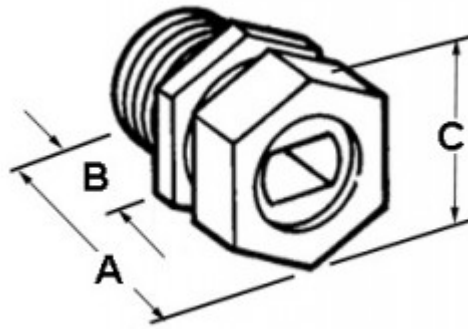


## Service Entrance, Cable Connector, Zinc Die Cast, Grommet Opening Size .775 x 1.340 Inch

Compression type connector which provides watertight seal around service entrance cable.

[Download Photo](#)[Download Drawing](#)

### Product details

<b>Catalog Number:</b>	766-2
<b>UPC Number:</b>	781747766205
<b>Primary Materials:</b>	Zinc Die Cast
<b>Finish:</b>	Ball burnished, mirror smooth
<b>Trade Size:</b>	2"
<b>Standard Package Quantity:</b>	10

### Dimensions

<b>Trade Size:</b>	2"
<b>Dimensions A:</b>	2-1/4
<b>Dimensions B:</b>	3/4
<b>Dimensions C:</b>	2-5/8

### Certifications & Codes

**UNSPSC:** 39121431

**Country Of Manufacture:** USA