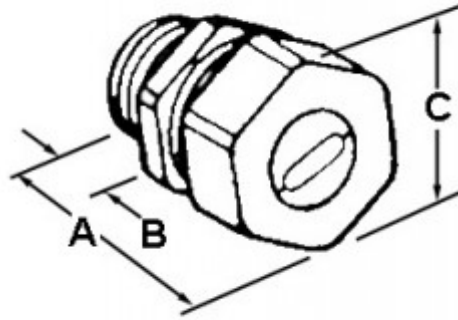


## Connector, UF, Zinc Die Cast, Size 1/2 Inch

Connector provides watertight seal around underground feeder cable. Tapered (NPT) threads.

[Download Photo](#)[Download Drawing](#)

### Product details

<b>Catalog Number:</b>	761-UF
<b>UPC Number:</b>	781747076106
<b>Primary Materials:</b>	Zinc Die Cast
<b>Finish:</b>	Ball burnished, mirror smooth
<b>Trade Size:</b>	1/2"
<b>Unit Quantity:</b>	25
<b>Standard Package Quantity:</b>	100

### Dimensions

<b>Trade Size:</b>	1/2"
<b>Dimensions A:</b>	1-9/16
<b>Dimensions B:</b>	9/16
<b>Dimensions C:</b>	1-1/4

### Certifications & Codes

**UL File Number:** E11698

**UNSPSC:** 39121431

**Nema Standard:** FB-1

**UL Standard:** UL-514B

**Country Of Manufacture:** USA