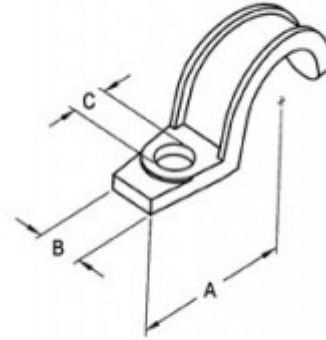


Strap, One Hole Pipe, Malleable Iron, Size 2 Inch

To support rigid conduit and IMC to mounting surface.

[Download Photo](#)[Download Drawing](#)

Product details

Catalog Number:	906
UPC Number:	781747009067
Primary Materials:	Malleable Iron
Finish:	Zinc electro-plate
Trade Size:	2"
Standard Package Quantity:	25

Dimensions

Trade Size:	2"
Dimensions A:	3-15/16
Dimensions B:	1-1/4
Dimensions C:	9/16

Certifications & Codes

UL File Number: E161206 cULus

CSA File Number: LR39354

UNSPSC: 31162906

UL Standard: UL-514B