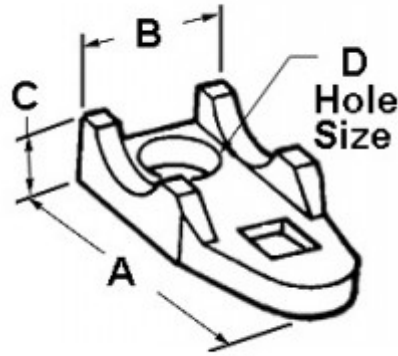


Clamp Back, Malleable Iron, Size 1 1/2 Inch

Provides space between conduit and mounting surface. For use with Malleable Iron or Aluminum straps.

[Download Photo](#)[Download Drawing](#)

Product details

Catalog Number:	945
UPC Number:	781747009456
Primary Materials:	Malleable Iron
Finish:	Zinc electro-plate
Trade Size:	1-1/2"
Unit Quantity:	10
Standard Package Quantity:	100

Dimensions

Trade Size:	1-1/2"
Dimensions A:	3-13/16
Dimensions B:	1-7/16
Dimensions C:	13/16
Dimensions D:	9/16

Certifications & Codes

UL File Number: E161206

UNSPSC: 31162906

UL Standard: UL-514B