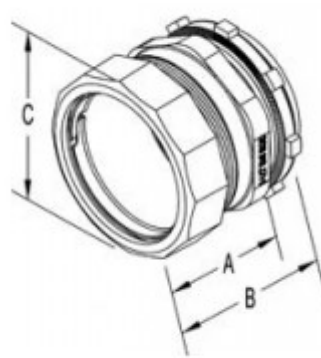


## Connector, Compression, Zinc Die Cast, Size 2 1/2 Inch

Used to join steel EMT to box or enclosure. Concrete-tight. 2 1/2" thru 4" suitable for use with Steel EMT. 2-1/2" through 4" also listed for use with Steel and Aluminum Rigid Conduit. CSA Listed Raintight/For Use in Wet Locations in Canada Only

[Download Photo](#)[Download Drawing](#)

### Product details

<b>Catalog Number:</b>	256-DC2
<b>UPC Number:</b>	781747152565
<b>Primary Materials:</b>	Zinc Die Cast
<b>Finish:</b>	Ball burnished, mirror smooth
<b>Trade Size:</b>	2-1/2"
<b>Standard Package Quantity:</b>	12

### Dimensions

<b>Trade Size:</b>	2-1/2"
<b>Dimensions A:</b>	1.88
<b>Dimensions B:</b>	3
<b>Dimensions C:</b>	3.62

### Certifications & Codes

**Federal Specification Number:** A-A-50553**UL File Number:** E24001**CSA File Number:** LR39354**UNSPSC:** 39121434**Nema Standard:** FB-1**UL Standard:** UL-514B**Country Of Manufacture:** USA