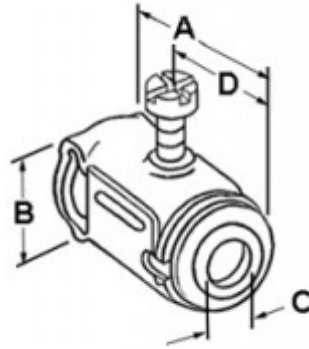


Connector, E-Z Lock, Steel, .406 Inch Throat Opening

Recommended cable types used to connect AC/MC/MCI-A/HCF/HCFMCI-A/FMC .40-.62 cable to box or enclosure.

[Download Photo](#)[Download Drawing](#)

Product details

Catalog Number:	AMC-50
UPC Number:	78174720570
Primary Materials:	Steel
Finish:	Zinc Electro-Plate
Trade Size:	3/8"
Unit Quantity:	50
Standard Package Quantity:	500

Dimensions

Trade Size:	3/8"
Dimensions A:	1.5
Dimensions B:	0.6875
Dimensions C:	0.406
Dimensions D:	0.9375

Certifications & Codes

Federal Specification Number: A-A-50552

UL File Number: E20534

UNSPSC: 39121419

Nema Standard: FB-1

UL Standard: UL-514B

Patent Number: D360,188