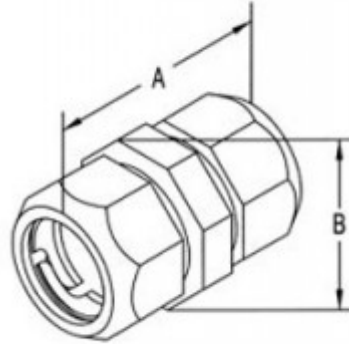


1-1/2" Raintight Compression Coupling

Compression style coupling used to join two lengths of EMT. Internal sealing rings create a raintight seal. Patented

[Download Photo](#)[Download Drawing](#)

Product details

Catalog Number:	264-RT
UPC Number:	781747142641
Primary Materials:	Zinc Die Cast
Finish:	Ball burnished, mirror smooth
Trade Size:	1-1/2"
Unit Quantity:	10
Standard Package Quantity:	40

Dimensions

Trade Size:	1-1/2"
Dimensions A:	2-1/4
Dimensions B:	2-13/16

Certifications & Codes

Federal Specification Number: A-A-50553

UL File Number: E24001

UNSPSC: 39131707

Nema Standard: FB-1

UL Standard: UL-514B

Patent Number: 7,976,070; 7,604,261; 7,390,027

Country Of Manufacture: USA of USA and Imported Parts