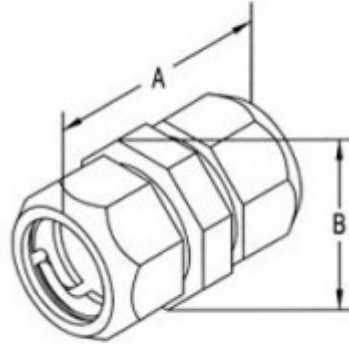


3/4" Raintight Compression Coupling

Compression style coupling used to join two lengths of EMT. Internal sealing rings create a raintight seal. Patented

[Download Photo](#)[Download Drawing](#)

Product details

Catalog Number:	261-RT
UPC Number:	781747142610
Primary Materials:	Zinc Die Cast
Finish:	Ball burnished, mirror smooth
Trade Size:	3/4"
Unit Quantity:	25
Standard Package Quantity:	250

Dimensions

Trade Size:	3/4"
Dimensions A:	1-9/16
Dimensions B:	1-3/8

Certifications & Codes

Federal Specification Number: A-A-50553

UL File Number: E24001

UNSPSC: 39131707

Nema Standard: FB-1

UL Standard: UL-514B

Patent Number: 7,976,070; 7,604,261; 7,390,027