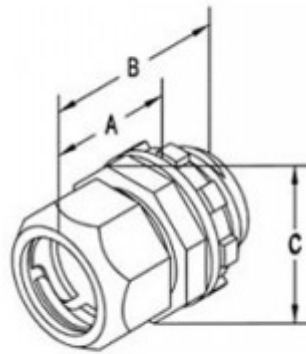


1-1/2" Raintight Compression Connector

Compression style connector with internal sealing ring and knockout gasket to create a raintight seal when connecting EMT to box or enclosure. Patented

[Download Photo](#)[Download Drawing](#)

Product details

Catalog Number:	254-RT2
UPC Number:	781747182548
Primary Materials:	Zinc Die Cast
Finish:	Ball burnished, mirror smooth
Trade Size:	1-1/2"
Unit Quantity:	10
Standard Package Quantity:	40

Dimensions

Trade Size:	1-1/2"
Dimensions A:	1.414
Dimensions B:	1.87
Dimensions C:	2.113

Certifications & Codes

Federal Specification Number: A-A-50553

UL File Number: E24001

UNSPSC: 39121434

Nema Standard: FB-1

UL Standard: UL-514B

Patent Number: 7,976,070; 7,604,261; 7,390,027

Country Of Manufacture: USA of USA and Imported Parts