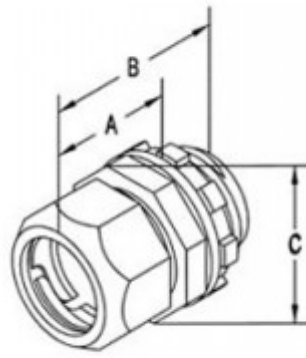


## 3/4" Raintight Compression Connector

Compression style connector with internal sealing ring and knockout gasket to create a raintight seal when connecting EMT to box or enclosure. Patented

[Download Photo](#)[Download Drawing](#)

### Product details

<b>Catalog Number:</b>	251-RT2
<b>UPC Number:</b>	781747182517
<b>Primary Materials:</b>	Zinc Die Cast
<b>Finish:</b>	Ball burnished, mirror smooth
<b>Trade Size:</b>	3/4"
<b>Unit Quantity:</b>	25
<b>Standard Package Quantity:</b>	250

### Dimensions

<b>Trade Size:</b>	3/4"
<b>Dimensions A:</b>	1.033
<b>Dimensions B:</b>	1.525
<b>Dimensions C:</b>	1.312

### Certifications & Codes

**Federal Specification Number:** A-A-50553

**UL File Number:** E24001

**UNSPSC:** 39121434

**Nema Standard:** FB-1

**UL Standard:** UL-514B

**Patent Number:** 7,976,070; 7,604,261; 7,390,027