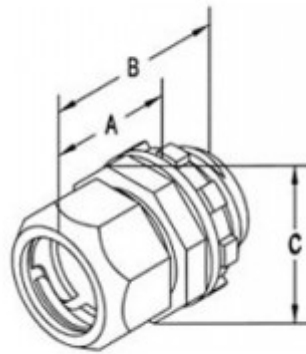


1/2" Raintight Compression Connector

Compression style connector with internal sealing ring and knockout gasket to create a raintight seal when connecting EMT to box or enclosure. Patented

[Download Photo](#)[Download Drawing](#)

Product details

Catalog Number:	250-RT2
UPC Number:	781747182500
Primary Materials:	Zinc Die Cast
Finish:	Ball burnished, mirror smooth
Trade Size:	1/2"
Unit Quantity:	50
Standard Package Quantity:	500

Dimensions

Trade Size:	1/2"
Dimensions A:	0.935
Dimensions B:	1.41
Dimensions C:	1.065

Certifications & Codes

Federal Specification Number: A-A-50553**UL File Number:** E24001**UNSPSC:** 39121434**Nema Standard:** FB-1**UL Standard:** UL-514B**Patent Number:** 7,976,070; 7,604,261; 7,390,027