

FEATURED MODEL

441405 Semi-Professional, CHROME

ADDITIONAL MODELS

441407 Semi-Professional, SATIN NICKEL



reddot design award
product design

FEATURES

- 2011 RED DOT Award-Winning Design
- Meets CALGREEN requirements for water-saving usage
- Handle does not move back behind faucet; allows for close backsplash installation
- Flexible steel spring spout for easy usage
- Quick release magnetic hand spray will not demagnetize
- Dual spray feature
- Solid brass construction
- Ceramic disk cartridge
- 1.8 GPM flow rate saves 20% more water
- Installation in a 1-3/8" hole
- 360 degree spout swivel
- 2" maximum deck thickness

OPTIONAL ACCESSORIES

Deluxe Soap Dispenser:	440006 (Chrome)
Meridian Soap Dispenser:	440059 (Chrome)
Alta Soap Dispenser:	440046 (Chrome)
Milano Soap Dispenser:	440050 (Chrome)
Harvest Soap Dispenser:	440054 (Chrome)

CODE/STANDARDS COMPLIANCE

ASME A112.18.1-2011
NSF 61 certified
NSF 61 ANEX G low lead requirements

AB1953 Lead Free

WARRANTY

BLANCO'S kitchen and bar faucets feature a LIMITED LIFETIME WARRANTY to be free of all manufacturing defects under normal use. See our complete warranty for details.

While BLANCO endeavors to provide accurate information, all dimensions are nominal, cannot be guaranteed, and are subject to change or cancellation. BLANCO assumes no responsibility for use of superseded or voided specifications.

JOB INFORMATION

Job Name: _____

Contact: _____

Date Specified: _____

Specifier: _____

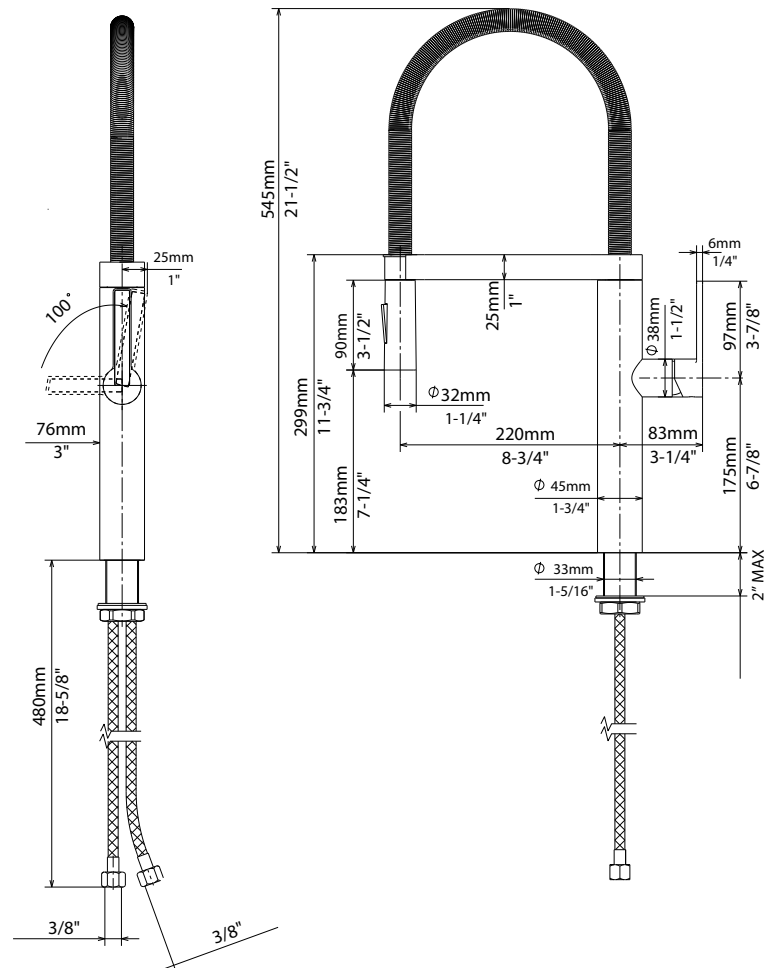
Contractor: _____



NOMINAL DIMENSIONS

Model 441405 shown

REACH	SPOUT HEIGHT	FAUCET HEIGHT
8-5/8"	7-1/4"	21-1/2"



See next page for exploded parts drawing and parts list.

BLANCO AMERICA

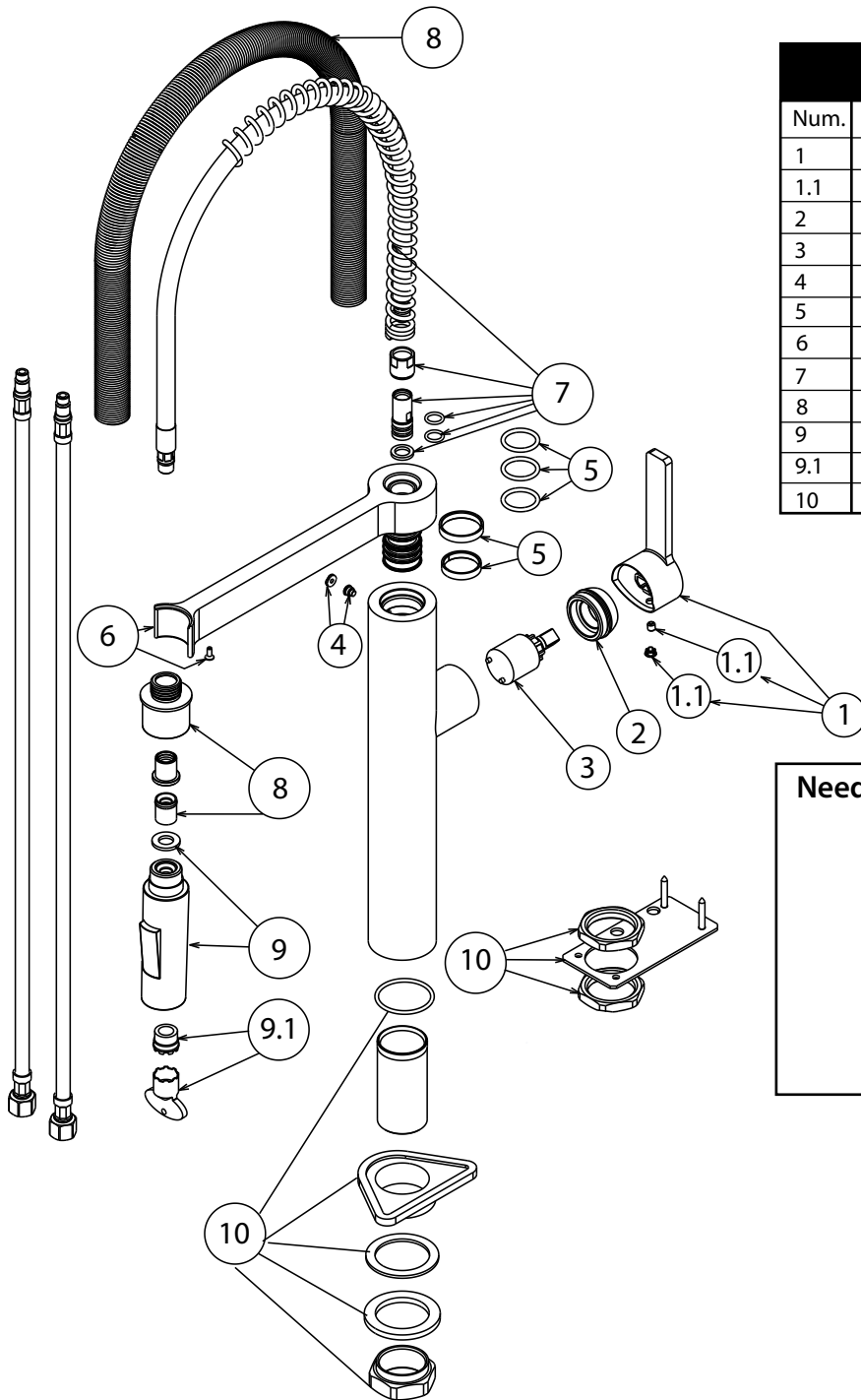
800.451.5782

www.blancoamerica.com

© 2013 BLANCO AMERICA

7/13

SPEC-003



REPAIR PART GUIDE		
Num.	Description	Part #
1	Handle - Chrome	441342
1.1	Handle - Screw and Cap	
2	Cartridge Lock Nut - Chrome	441344
3	Cartridge	441346
4	Body cover & screw - Chrome	441347
5	O-ring kit	441349
6	Docking arm w/ magnet - Chrome	441386
7	Spray hose assembly	441350
8	Coil assembly	441351
9	Handspray - Chrome	441352
9.1	Aerator 1.8 and tool	441354
10	Mounting hardware	441355

Need to Change a Faucet Cartridge?



Scan this QR code
to see our how-to video

For faucet technical support or questions,
please e-mail us at faucets@blancoamerica.com