

**FEATURED MODEL**

440063 Super Single, 10" & 7-3/4" bowl depths, CAFE BROWN

**ADDITIONAL MODELS**

- 441291 Super Single, 10" & 7-3/4" bowl depths, TRUFFLE
- 441227 Super Single, 10" & 7-3/4" bowl depths, BISCOTTI
- 440066 Super Single, 10" & 7-3/4" bowl depths, WHITE
- 440065 Super Single, 10" & 7-3/4" bowl depths, BISCUIT
- 440064 Super Single, 10" & 7-3/4" bowl depths, ANTHRACITE
- 440067 Super Single, 10" & 7-3/4" bowl depths, METALLIC GRAY
- 441476 Super Single, 10" & 7-3/4" bowl depths, CINDER

**FEATURES**

- Raised ledge for placement of colander to rinse fruits, vegetables and utensils
- Functional drain grooves remove excess water into main sink
- Required outside cabinet: 36"
- 80% solid granite
- Heat resistant up to 536°F
- Unsurpassed cleanability backed by industry leading 7 patents!
- Resistant to scratches, stains and all household acids and alkali solutions
- Template provided with approximate 1/8" reveal
- Under mount clips included
- Limited lifetime warranty

**INCLUDED ACCESSORY**

Stainless Steel Mesh Colander (sits on ledge): 222401

**OPTIONAL ACCESSORIES**

Stainless Steel Sink Grid Large: 222472  
 Walnut Cutting Board: 222591

**CODE/STANDARDS COMPLIANCE**

ANSI Z124.6-97  
 IAPMO/UPC listed

**WARRANTY**

BLANCO'S SILGRANIT II Series sinks feature a LIMITED LIFETIME WARRANTY to be free of all manufacturing defects under normal use. See our complete warranty for details.

While BLANCO endeavors to provide accurate information, all dimensions are nominal, cannot be guaranteed, and are subject to change or cancellation. BLANCO assumes no responsibility for use of superseded or voided specifications.

**JOB INFORMATION**

Job Name: \_\_\_\_\_  
 Contact: \_\_\_\_\_  
 Date Specified: \_\_\_\_\_  
 Specifier: \_\_\_\_\_  
 Contractor: \_\_\_\_\_

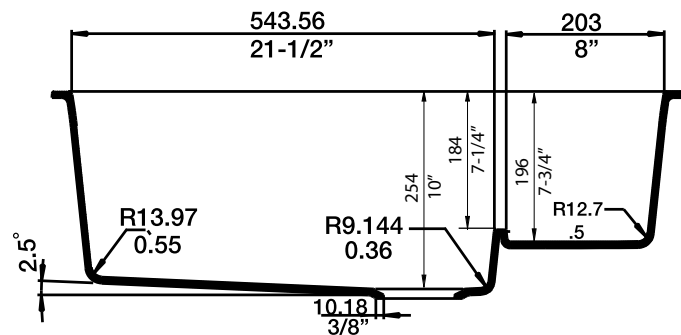
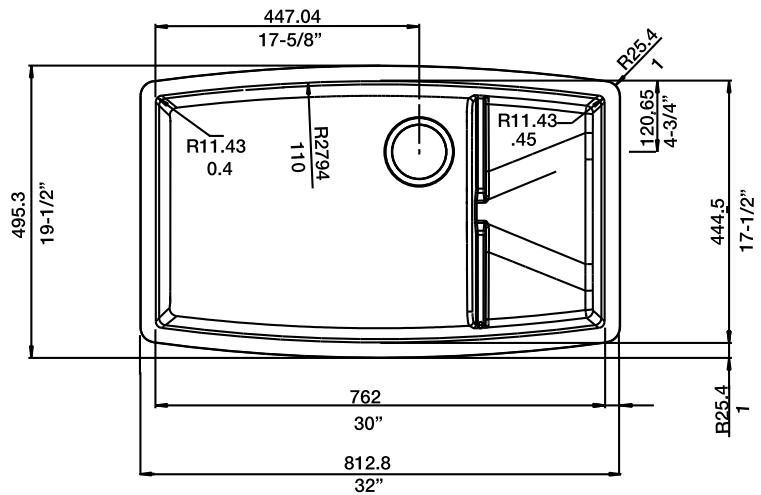


**NOMINAL DIMENSIONS**

Model 440063 shown

OVERALL	CUT OUT SIZE	BOWL DEPTHS		DRAIN
		LEFT	RIGHT	
32" x 19-1/2"	Template provided with approximate 1/8" reveal	10"	7-3/4"	3-1/2"

DXF cutout templates available on our website.



**BLANCO AMERICA**

800.451.5782  
 www.blancoamerica.com

© 2013 BLANCO AMERICA

6/13

SPEC-003