

### FEATURED MODEL

441026 Bar Bowl, 6-1/2" bowl depth

### ADDITIONAL MODELS

441024 Super Single, 9" bowl depth

441025 Medium, 8" bowl depth

### FEATURES

- Required outside cabinet: 18"
- 18 gauge, 304 series stainless steel
- Premium 18/10 chrome/nickel content
- Refined Brush Finish (RBF)
- Rear drain placement
- Sound deadening insulation and pads

### OPTIONAL ACCESSORIES

Undermount Sink Clips: 440851

### CODE/STANDARDS COMPLIANCE

ASME 112.19.3-00  
IAPMO/UPC listed

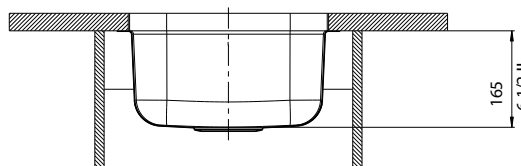
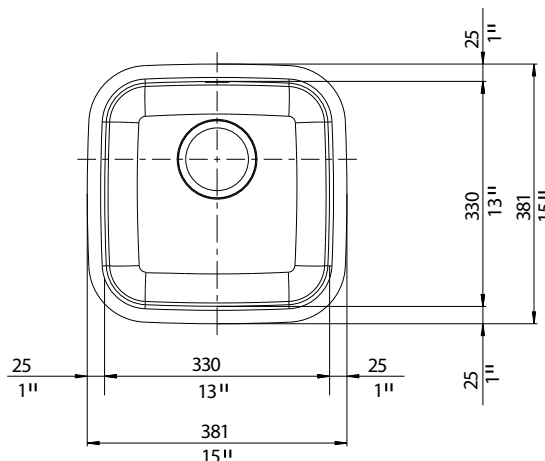


### NOMINAL DIMENSIONS

Model 441026 shown

OVERALL	BOWL DEPTH	DRAIN
15" x 15"	6-1/2"	3-1/2"

DXF cutout templates available on our website.



### WARRANTY

Blanco America's Stainless Steel sinks feature a LIMITED LIFETIME WARRANTY to be free of all manufacturing defects under normal use. See our complete warranty for details.

While Blanco America endeavors to provide accurate information, all dimensions are nominal, cannot be guaranteed, and are subject to change or cancellation. Blanco America assumes no responsibility for use of superseded or voided specifications.

### JOB INFORMATION

Job Name: \_\_\_\_\_

Contact: \_\_\_\_\_

Date Specified: \_\_\_\_\_

Specifier: \_\_\_\_\_

Contractor: \_\_\_\_\_

### BLANCO AMERICA

800.451.5782

www.blancoamerica.com

© 2013 BLANCO AMERICA

7/13

SPEC-003