

FIXTURE INSTALLATION GUIDE

Models 2WS Series (Two Light Vanity 120V)



BESALIGHTING

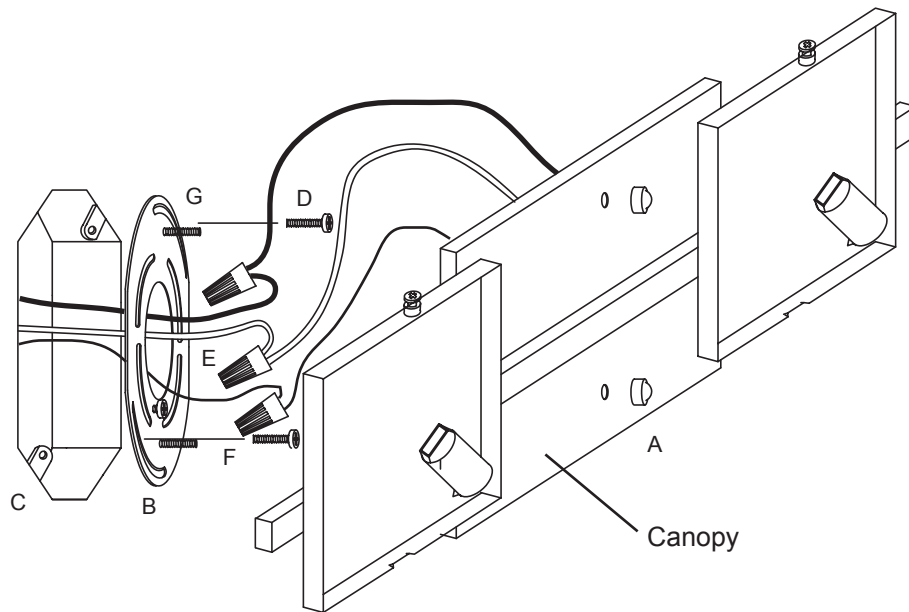
6695 Taylor Rd. Blacklick, OH 43004
www.besalighting.com

2WS, Rev.2 2-09

Caution: Turn off power to electrical box before installing

Use With these Models:

- 2WS Alex (7735xx)
- 2WS Ciro (7738xx)
- 2WS Paolo (7873xx)



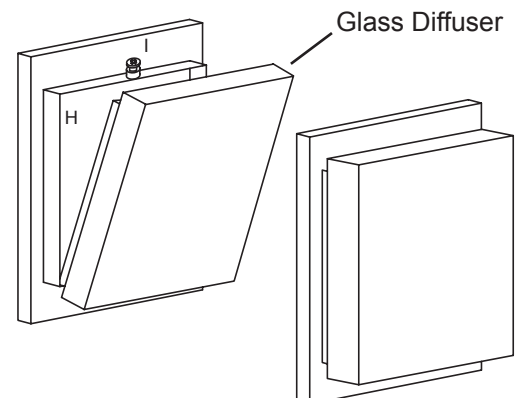
1. Carefully remove parts from package.
2. Remove the two Cap Nuts (A) to release the Canopy from the Mounting Bracket (B).
3. If desired, the Canopy can be offset by 7/8" in each direction. Loosen the two hex nuts on the back of the canopy, reposition the canopy to the desired location, then retighten the hex nuts.
4. Attach the Mounting Bracket to the Outlet Box (C) with two Machine Screws (D) provided.
5. Connect the electrical leads from the fixture to the house supply wires, black to black and white to white, and secure with wirenuts provided (E). Connect the House Ground Wire to the Bare Copper Lead from the fixture, and secure with wirenut provided (F).
6. Align the circular openings on the Canopy with the Threaded Posts (G) on the Mounting Bracket. Push the Canopy over the Threaded Posts until the Canopy is flush with the wall, then secure with the Cap Nuts.
7. With the power still off, insert bulb of not more than the labeled wattage. Install glass diffuser.

GLASS INSTALLATION:

Angle the Glass Diffuser and position the bottom into the Glassholder (H) as shown, then rotate the upper portion into the glassholder. If the glass does not seat properly, then the socket wires may be conflicting with the glass neck. Gently move the wires out of the way, then reinsert the glass. Once the Glassholder is properly seated, secure with the Retaining Screw (I).

DO NOT OVERTIGHTEN THE RETAINING SCREW.

NOTE: Glass Diffuser shown is for example purposes, the actual Glass Diffuser may be different in appearance.



All electrical connections and the installation of this fixture must be in agreement with local codes, ordinances or the NEC (National Electric Code) or CEC (Canadian Electrical Code). Do not connect this fixture to an electrical system that does not provide a means for equipment grounding.

FIXTURE INSTALLATION GUIDE

Models 3WS Series (Three Light Vanity 120V)



BESALIGHTING

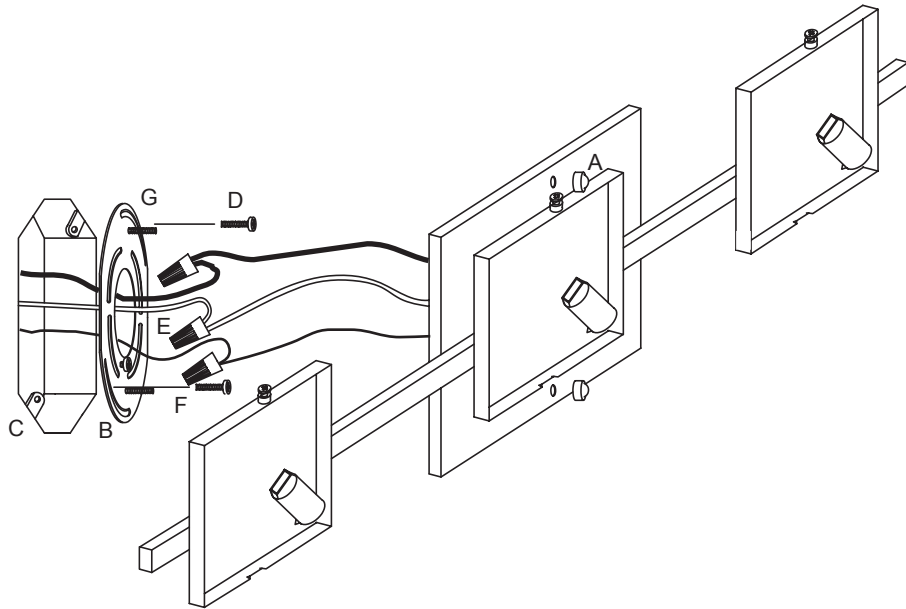
6695 Taylor Rd. Blacklick, OH 43004
www.besalighting.com

3WS, Rev.2 2-09

Caution: Turn off power to electrical box before installing

Use With these Models:

- 3WS Alex (7735xx)
- 3WS Ciro (7738xx)
- 3WS Paolo (7873xx)



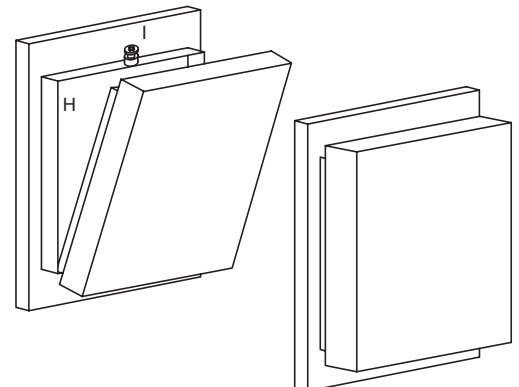
1. Carefully remove parts from package.
2. Remove the two Cap Nuts (A) to release the Canopy from the Mounting Bracket (B).
3. If desired, the Canopy can be offset by 7/8" in each direction. Loosen the two hex nuts on the back of the canopy, reposition the canopy to the desired location, then retighten the hex nuts.
4. Attach the Mounting Bracket to the Outlet Box (C) with two Machine Screws (D) provided.
5. Connect the electrical leads from the fixture to the house supply wires, black to black and white to white, and secure with wirenuts provided (E). Connect the House Ground Wire to the Bare Copper Lead from the fixture, and secure with wirenut provided (F).
6. Align the circular openings on the Backplate with the Threaded Posts (G) on the Mounting Plate. Push the Canopy over the Threaded Posts until the Canopy is flush with the wall, then secure with the Cap Nuts.
7. With the power still off, insert bulb of not more than the labeled wattage. Install glass diffusers.

GLASS INSTALLATION:

Angle the Glass Diffuser and position the bottom into the Glassholder (H) as shown, then rotate the upper portion into the glassholder. If the glass does not seat properly, then the socket wires may be conflicting with the glass neck. Gently move the wires out of the way, then reinsert the glass. Once the Glassholder is properly seated, secure with the Retaining Screw (I).

DO NOT OVERTIGHTEN THE RETAINING SCREW.

NOTE: Glass Diffuser shown is for example purposes, the actual Glass Diffuser may be different in appearance.



All electrical connections and the installation of this fixture must be in agreement with local codes, ordinances or the NEC (National Electric Code) or CEC (Canadian Electrical Code). Do not connect this fixture to an electrical system that does not provide a means for equipment grounding.

FIXTURE INSTALLATION GUIDE

Models 4WS Series (Four Light Vanity 120V)



BESALIGHTING

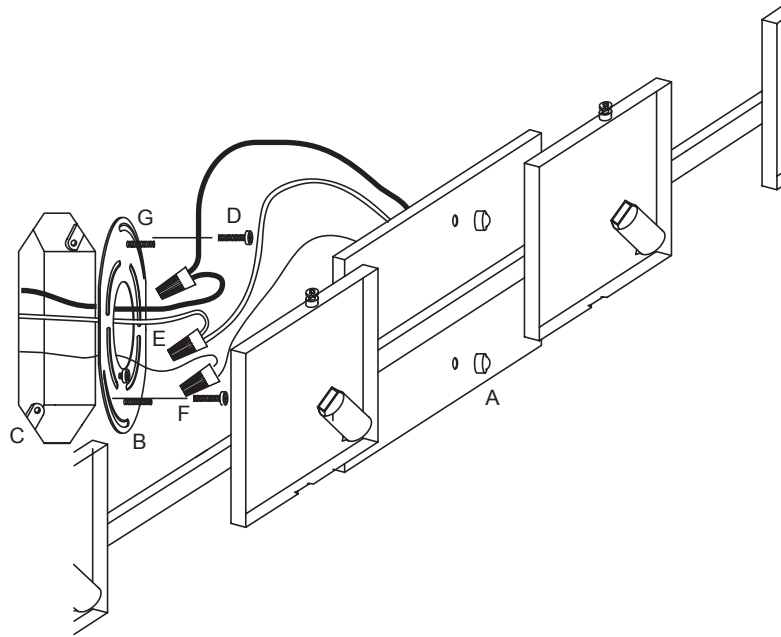
6695 Taylor Rd. Blacklick, OH 43004
www.besalighting.com

4WS, Rev.2 2-09

Caution: Turn off power to electrical box before installing

Use With these Models:

- 4WS Alex (7735xx)
- 4WS Ciro (7738xx)
- 4WS Paolo (7873xx)



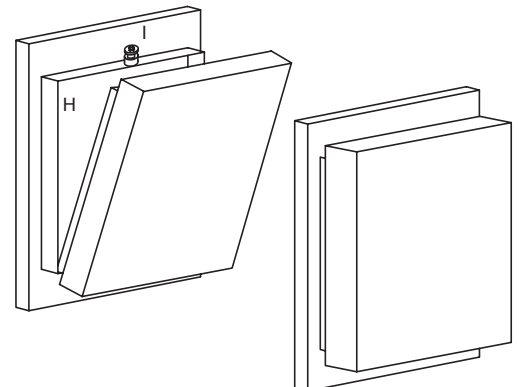
1. Carefully remove parts from package.
2. Remove the two Cap Nuts (A) to release the Canopy from the Mounting Bracket (B).
3. If desired, the Canopy can be offset by 7/8" in each direction. Loosen the two hex nuts on the back of the canopy, reposition the canopy to the desired location, then retighten the hex nuts.
4. Attach the Mounting Bracket to the Outlet Box (C) with two Machine Screws (D) provided.
5. Connect the electrical leads from the fixture to the house supply wires, black to black and white to white, and secure with wirenuts provided (E). Connect the House Ground Wire to the Bare Copper Lead from the fixture, and secure with wirenut provided (F).
6. Align the circular openings on the Backplate with the Threaded Posts (G) on the Mounting Plate. Push the Canopy over the Threaded Posts until the Canopy is flush with the wall, then secure with the Cap Nuts.
7. With the power still off, insert bulb of not more than the labeled wattage. Install glass diffusers.

GLASS INSTALLATION:

Angle the Glass Diffuser and position the bottom into the Glassholder (H) as shown, then rotate the upper portion into the glassholder. If the glass does not seat properly, then the socket wires may be conflicting with the glass neck. Gently move the wires out of the way, then reinsert the glass. Once the Glassholder is properly seated, secure with the Retaining Screw (I).

DO NOT OVERTIGHTEN THE RETAINING SCREW.

NOTE: Glass Diffuser shown is for example purposes, the actual Glass Diffuser may be different in appearance.



All electrical connections and the installation of this fixture must be in agreement with local codes, ordinances or the NEC (National Electric Code) or CEC (Canadian Electrical Code). Do not connect this fixture to an electrical system that does not provide a means for equipment grounding.

FIXTURE INSTALLATION GUIDE

Models 5WS Series (Five Light Vanity 120V)



BESALIGHTING

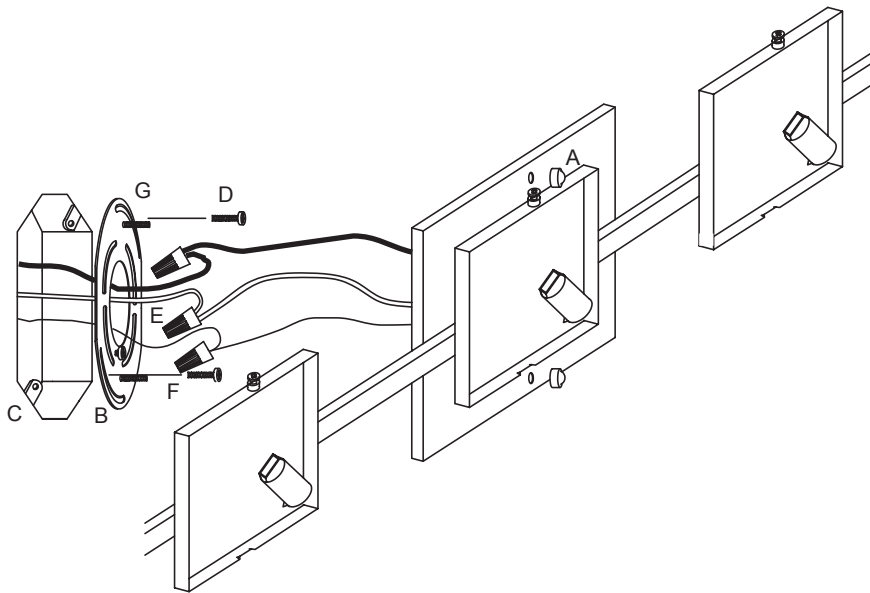
6695 Taylor Rd. Blacklick, OH 43004
www.besalighting.com

5WS, Rev.2 2-09

Caution: Turn off power to electrical box before installing

Use With these Models:

- 5WS Alex (7735xx)
- 5WS Ciro (7738xx)
- 5WS Paolo (7873xx)



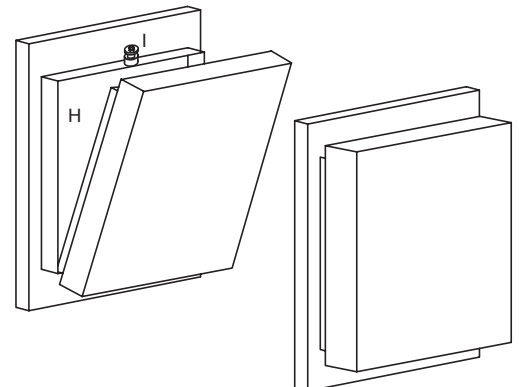
1. Carefully remove parts from package.
2. Remove the two Cap Nuts(A) to release the Canopy from the Mounting Bracket(B).
3. If desired, the Canopy can be offset by 7/8" in each direction. Loosen the two hex nuts on the back of the canopy, reposition the canopy to the desired location, then retighten the hex nuts.
4. Attach the Mounting Bracket to the Outlet Box (C) with two Machine Screws (D) provided.
5. Connect the electrical leads from the fixture to the house supply wires, black to black and white to white, and secure with wirenuts provided (E). Connect the House Ground Wire to the Bare Copper Lead from the fixture, and secure with wirenut provided (F).
6. Align the circular openings on the Backplate with the Threaded Posts (G) on the Mounting Plate. Push the Canopy over the Threaded Posts until the Canopy is flush with the wall, then secure with the Cap Nuts.
7. With the power still off, insert bulb of not more than the labeled wattage. Install glass diffusers.

GLASS INSTALLATION:

Angle the Glass Diffuser and position the bottom into the Glassholder (H) as shown, then rotate the upper portion into the glassholder. If the glass does not seat properly, then the socket wires may be conflicting with the glass neck. Gently move the wires out of the way, then reinsert the glass. Once the Glassholder is properly seated, secure with the Retaining Screw (I).

DO NOT OVERTIGHTEN THE RETAINING SCREW.

NOTE: Glass Diffuser shown is for example purposes, the actual Glass Diffuser may be different in appearance.



All electrical connections and the installation of this fixture must be in agreement with local codes, ordinances or the NEC (National Electric Code) or CEC (Canadian Electrical Code). Do not connect this fixture to an electrical system that does not provide a means for equipment grounding.