



RESIDENTIAL PLASTIC TOILET SEAT



MODEL #

COLOR #

800EC

DESCRIPTION :

Closed front with cover, round, injection molded solid plastic toilet seat. Features four molded-in bumpers, color-matched Easy•Clean & Change® hinges with non-corrosive, top-tightening bolts and wing nuts. This seat complies with IAPMO/ANSI Z124.5-2013 Plastic Toilet Seats as a class Commercial Heavy Duty.

SPECIFICATIONS :

Size:	Round
Material:	Plastic
Style:	Closed Front with Cover
Bumpers:	Four
Hinges:	Plastic Easy•Clean & Change®
Fastening System:	Non-Corrosive Bolts and Wing Nuts

FEATURES :

- Easy•Clean & Change®
- Non-Corrosive Bolts and Wing Nuts

DIMENSIONS :



PLASTIC EASY•CLEAN & CHANGE® HINGES



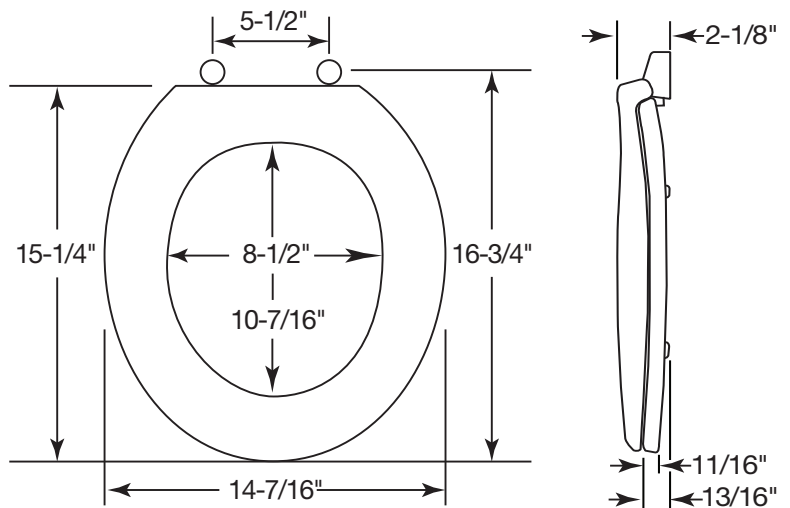
TWIST HINGES TO UNLOCK



EASY REMOVAL OF SEAT FOR THOROUGH CLEANING



NON-CORROSIVE BOLTS AND WING NUTS



Proudly Made in the USA

Bemis Manufacturing Co., Sheboygan Falls, WI 53085
www.ToiletSeats.com

Phone: 800-558-7651 Fax: 800-292-3647
©2014 0B7012276 REVA