



RESIDENTIAL PLASTIC TOILET SEAT

MODEL #

COLOR #

1800EC

DESCRIPTION:

Closed front with cover, elongated, injection molded solid plastic toilet seat. Features four molded-in bumpers, color-matched Easy•Clean & Change® hinges with non-corrosive, top-tightening bolts and wing nuts. This seat complies with IAPMO/ANSI Z124.5-2013 Plastic Toilet Seats as a class Commercial Heavy Duty.

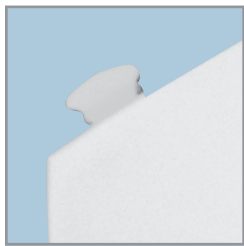
SPECIFICATIONS:

Size:	Elongated
Material:	Plastic
Style:	Closed Front with Cover
Bumpers:	Four
Hinges:	Plastic Easy•Clean & Change®
Fastening System:	Non-Corrosive Bolts and Wing Nuts

FEATURES:

- Easy•Clean & Change®
- Non-Corrosive Bolts and Wing Nuts

DIMENSIONS:



PLASTIC EASY•CLEAN & CHANGE® HINGES



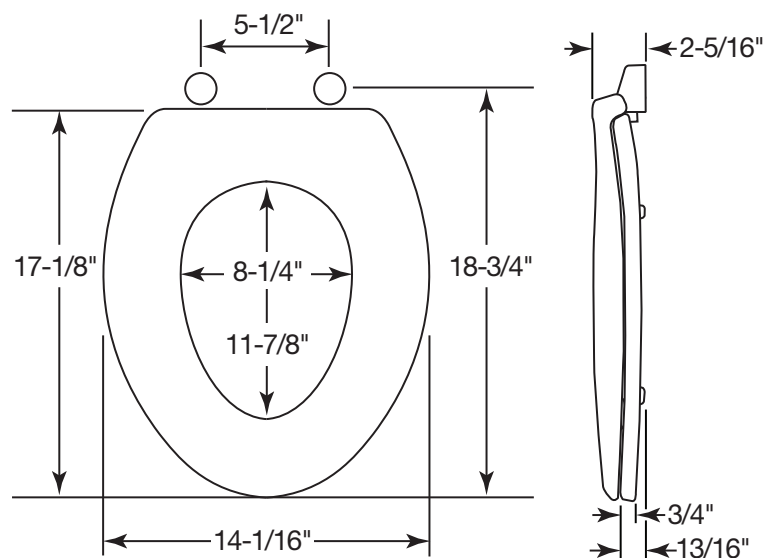
TWIST HINGES TO UNLOCK



EASY REMOVAL OF SEAT FOR THOROUGH CLEANING



NON-CORROSIVE BOLTS AND WING NUTS



Proudly Made in the USA

Bemis Manufacturing Co., Sheboygan Falls, WI 53085
www.ToiletSeats.com

Phone: 800-558-7651 Fax: 800-292-3647