



RESIDENTIAL PLASTIC TOILET SEAT



MODEL #

COLOR #

200SLOWT

DESCRIPTION:

Closed front with cover, round, injection molded solid plastic toilet seat. Features four molded-in bumpers, color-matched Whisper•Close® with Easy•Clean & Change® hinges with STA-TITE® Seat Fastening System™.

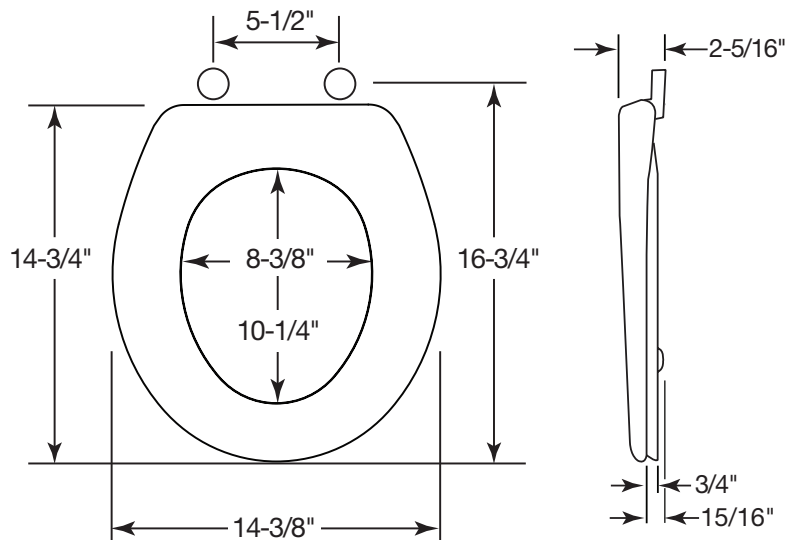
SPECIFICATIONS:

Size:	Round
Material:	Plastic
Style:	Closed Front with Cover
Bumpers:	Four
Hinges:	Plastic Whisper•Close® with Easy•Clean & Change®
Fastening System:	STA-TITE® Seat Fastening System™

FEATURES:

- Whisper•Close®
- Easy•Clean & Change®
- STA-TITE® Seat Fastening System™

DIMENSIONS:



PLASTIC WHISPER•CLOSE®
WITH EASY•CLEAN &
CHANGE® HINGES



WHISPER•CLOSE®
FEATURE



TWIST HINGES TO UNLOCK



EASY REMOVAL OF SEAT
FOR THOROUGH CLEANING



STA-TITE® SEAT
FASTENING SYSTEM™

Proudly Made in the USA

Bemis Manufacturing Co., Sheboygan Falls, WI 53085
www.ToiletSeats.com

Phone: 800-558-7651 Fax: 800-292-3647

©2014 0B7012255 REV B