



RESIDENTIAL PLASTIC TOILET SEAT

MODEL #

COLOR #

1200SLOWT

DESCRIPTION:

Closed front with cover, elongated, injection molded solid plastic toilet seat. Features four molded-in bumpers, color-matched Whisper•Close® with Easy•Clean & Change® hinges with STA-TITE® Seat Fastening System™.

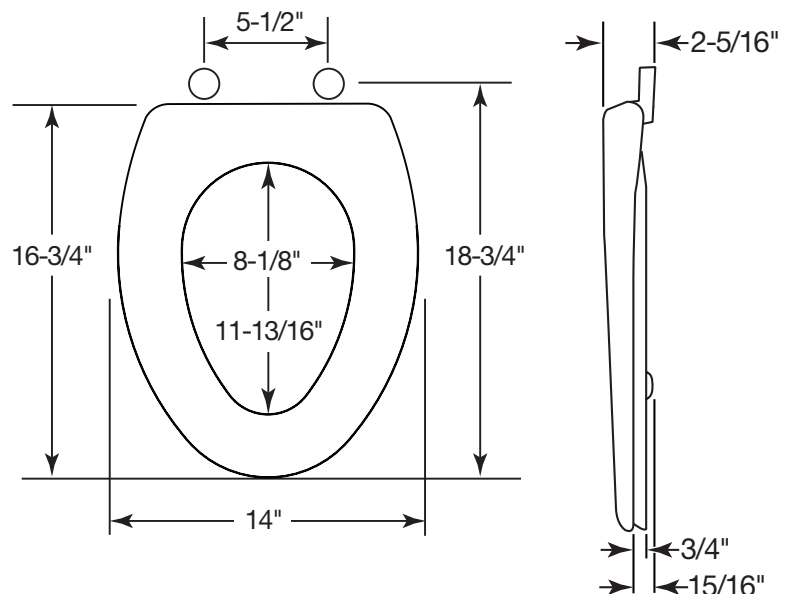
SPECIFICATIONS:

Size:	Elongated
Material:	Plastic
Style:	Closed Front with Cover
Bumpers:	Four
Hinges:	Plastic Whisper•Close® with Easy•Clean & Change®
Fastening System:	STA-TITE® Seat Fastening System™

FEATURES:

- Whisper•Close®
- Easy•Clean & Change®
- STA-TITE® Seat Fastening System™

DIMENSIONS:



PLASTIC WHISPER•CLOSE® WITH EASY•CLEAN & CHANGE® HINGES



WHISPER•CLOSE® FEATURE



TWIST HINGES TO UNLOCK



EASY REMOVAL OF SEAT FOR THOROUGH CLEANING



STA-TITE® SEAT FASTENING SYSTEM™

Proudly Made in the USA

Bemis Manufacturing Co., Sheboygan Falls, WI 53085
www.ToiletSeats.com

Phone: 800-558-7651 Fax: 800-292-3647