

NEMA TYPE 3R SMALL WEATHERPROOF CABINETS

Austin small hinge cover NEMA 3R cabinets are Underwriters Laboratories Listed and designed for outdoor use primarily to provide a degree of protection against rain, sleet, and damage from external ice formation.

Construction:

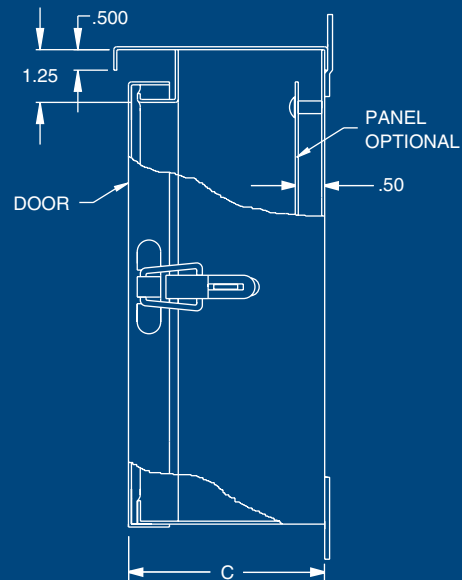
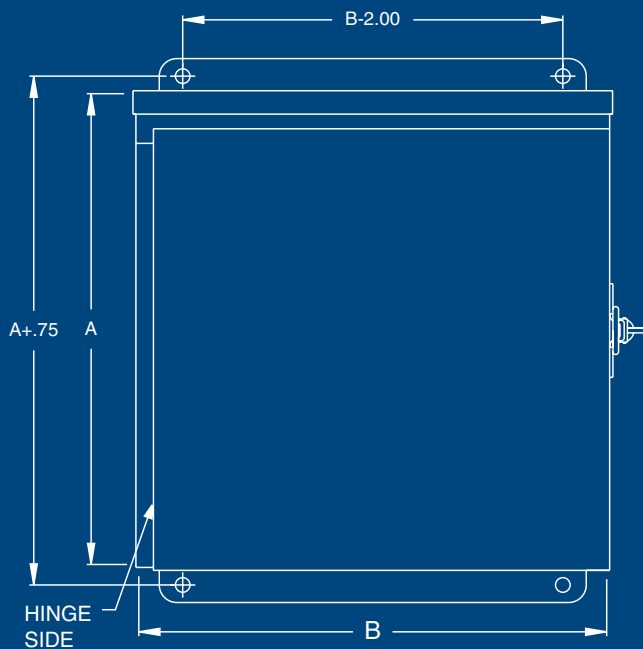
- Fabricated in accordance with UL specifications from code gauge steel.
- Galvanized continuous hinge with stainless steel hinge pin.
- Draw pull catch; AB-1.
- Seamless dripshield.
- External mounting feet.
- Stand-offs provided for mounting optional panel.

Finish:

Austin small hinge cover NEMA 3R cabinets are constructed standard in galvanized steel with an ANSI 61 gray polyester powder coating. Optional panels are painted white.

Options:

- Special knockouts or knockout arrangements in bottom only.
- Special materials.
- Special finishes.
- Custom box size or construction.



**INDUSTRY
STANDARDS**

UL 50 Type 3R
NEMA Type 3R
CUL Type 3R

Austin Electrical Enclosures
Post Office Box 2320
Yadkinville, NC 27055

Phone: 336.468.2851
800.288.2851

NEMA TYPE 3R SMALL WEATHERPROOF CABINETS

Catalog Number	Enclosure Size (AxBxC)	Weight	Panel Catalog Number	Panel Weight
AB-664WS	6x6x4	5	AB-66NP	0.5
AB-864WS	8x6x4	6	AB-86NP	1
AB-886WS	8x8x6	8	AB-88NP	1
AB-1086WS	10x8x6	9	AB-108NP	1.5
AB-10106WS	10x10x6	10	AB-1010NP	2
AB-12106WS	12x10x6	11	AB-1210NP	2
AB-12126WS	12x12x6	14	AB-1212NP	3
AB-14126WS	14x12x6	16	AB-1412NP	3

