

Low Voltage Mounting Brackets for New Construction

Designed to install low voltage Class 2 only. Mounts vertical or horizontal on wood or metal studs.

FEATURES AND BENEFITS

- Non-metallic
- Sturdy tabs provide extra-secure vertical or horizontal mounting of class 2, low voltage wiring.
- Convenient wire tie-off through slot at top
- Versatile LVH1K permits the use of 3/4" EMT or a 1" fitting.
- Costs 20% less than metal extension rings!



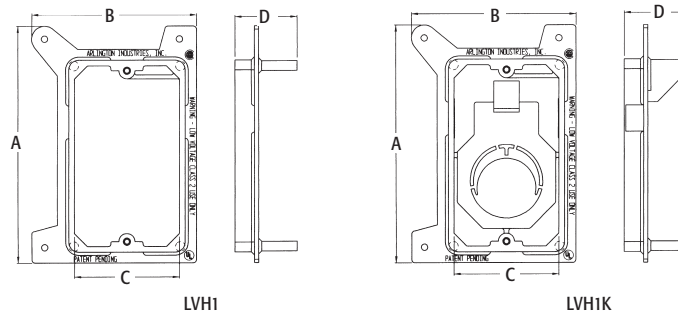
LVH1



LVH1K

CATALOG NUMBER	UPC/DCI/NAED MFG #018997	UNIT PKG	STD PKG	DIM A	DIM B	DIM C	DIM D
LVH1	10979	50	50	4.552	3.187	2.000	1.205
LVH1K	10984	50	50	4.552	3.187	2.000	1.205

PATENTED.



Low Voltage Mounting Brackets for New Construction

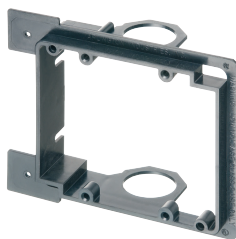
Designed to install low voltage Class 2 only.

FEATURES AND BENEFITS

- Non-metallic
- For communications, cable TV, computer wiring
- Cat 5 listed
- Permits the use of 3/4" EMT
- Works with 1/2" or 5/8" drywall
- Available in single or double-gang models



LVMB1



LVMB2

CATALOG NUMBER	UPC/DCI/NAED MFG #018997	UNIT PKG	STD PKG	DIM A	DIM B	DIM C	DIM D
LVMB1	14364	10	100	4.158	3.147	1.970	.375
LVMB2	14365	5	50	4.158	4.842	1.970	.375

Scan For Video

