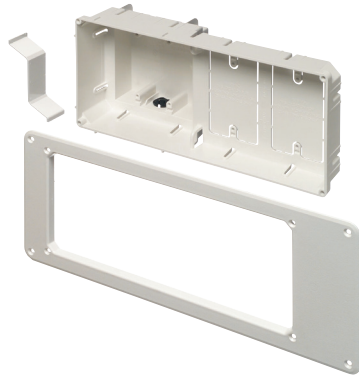


## Recessed TV BOX™ for Power and Low Voltage

Non-metallic and metallic, combination power and low voltage box. For power and phone/cable/speaker/surround sound installations.

### FEATURES AND BENEFITS

- Use metallic boxes where metal raceways are required
- Perfect for flat screen plasma/LCD televisions
- For new or existing construction
- Recessed, so plugs do not protrude from wall
- Trim ring covers cut edge of drywall
- Trim ring (TVB613) and cover (TVB613C) are textured/paintable
- (2) low voltage mounts are built-in
- Low voltage separator provided for built-in 2-gang device box so power and low voltage can be combined



TVB613

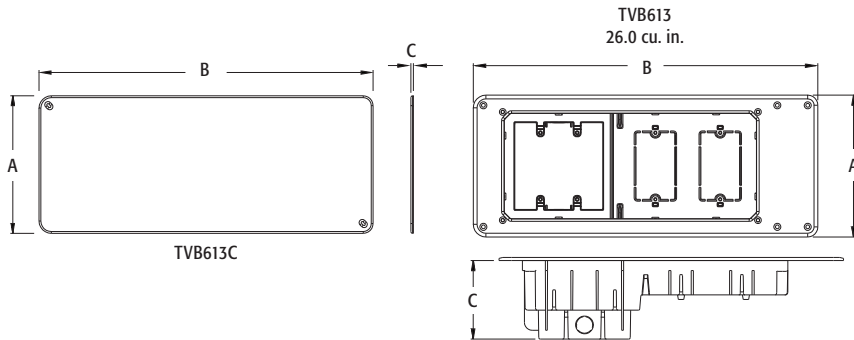
Note: Receptacle and cover plates are not included.



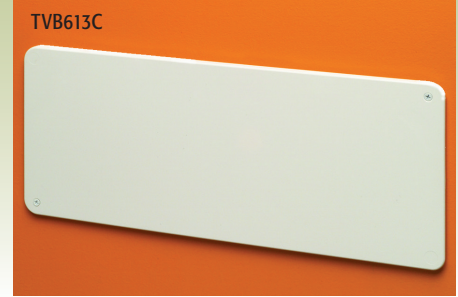
TVB613C

CATALOG NUMBER	UPC/DCI/NAED MFG #018997	DESCRIPTION/ PLATE COLOR	UNIT PKG	STD PKG	DIM A	DIM B	DIM C
TVB613	09630	4-Gang w/ white trim plate	1	1	7.000	17.000	3.880
TVB613BL	09634	4-Gang w/ black trim plate	1	1	7.000	17.000	3.880
TVB613C	09631	4-Gang white cover	5	5	7.000	17.000	.127

Add suffix "GC" to Catalog # when ordering in Canada to include grounding clip, for example TVB613GC. **PATENTED.**



### INSTALLATION SHOTS



Scan For Video

