

Optional 18" Extender for 37" Support

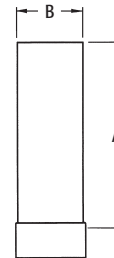


Add to GP37 in 18" increments for even more height...up to 73".

Use the Extender to make the 37" Gard-N-Post even taller: add one 18" Extender for a 55" height; add a second Extender for 73"! For even more options, the GPX18 may be cut (top end only) to any desired height! When assembling the Extender with GP37 (see J-5) use standard PVC cement.

CATALOG NUMBER	UPC/DCI/NAED MFG #018997	DESCRIPTION	UNIT PKG	STD PKG	DIM A	DIM B
GPX18B	76157	Black	1	4	18.000	4.000
GPX18BR	76158	Bronze	1	4	18.000	4.000
GPX18G	76160	Green	1	4	18.000	4.000
GPX18W	76159	White	1	4	18.000	4.000

CSA listed with grounding lug.
PATENTED.



19.5" Low-Profile Support Just for Outdoor Light Fixtures



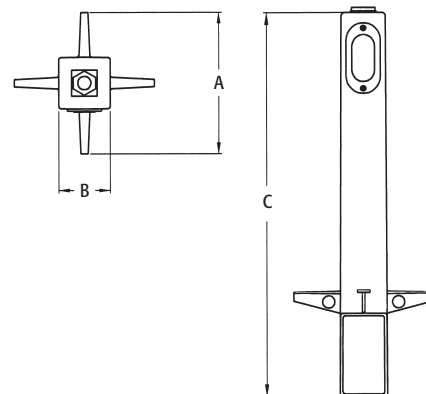
For use with light fixtures exclusively. Accommodates most fixture styles. UV rated plastic for long outdoor life. Four non-chipping colors.

FEATURES AND BENEFITS

- Molded-in color is permanent—unlike painted posts where lawn equipment chips the color off
 - Streamline design...one of our most competitively priced 19.5" Gard-N-Posts
 - Removable 1/2" KO in cover for photocell installation
 - Metal bushing with ground wire for 2- or 3-wire fixtures
 - Resists damage from lawn equipment
- height! When assembling the Extender with GP37 (see J-5) use standard PVC cement.

CATALOG NUMBER	UPC/DCI/NAED MFG #018997	DESCRIPTION	UNIT PKG	STD PKG	DIM A	DIM B	DIM C
GPL19B	77000	Black	1	6	7.125	2.250	19.500
GPL19BR	77001	Bronze	1	6	7.125	2.250	19.500
GPL19G	77002	Green	1	6	7.125	2.250	19.500
GPL19W	77003	White	1	6	7.125	2.250	19.500

PATENTED.



Comes complete with...

Access panel cover, gasket, installed 3/4" x 1/2" NPT metal grounding bushing and locknut with copper ground wire for fixture installation.