

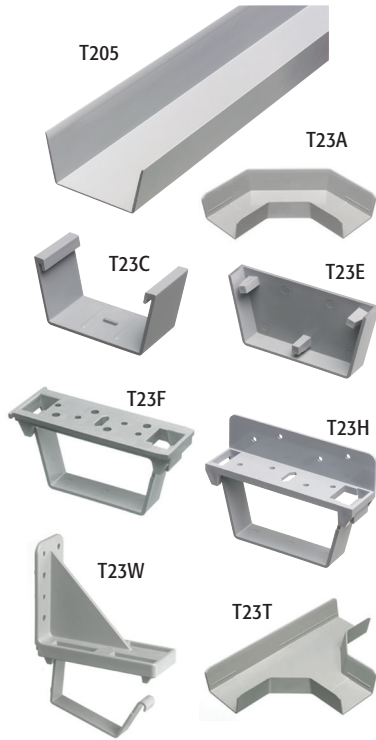
CableWay™ Cable Runway Support System

NM CABLE

Cable support system for either power or low voltage cable. For new construction or retrofit. Non-metallic.

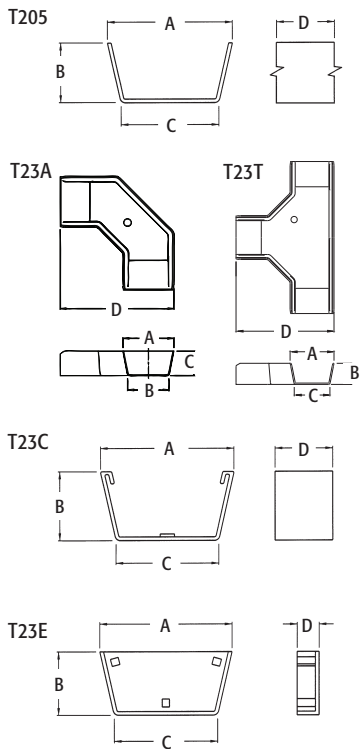
FEATURES AND BENEFITS

- Secure, UL Listed as a cable support system
- For power or low voltage cable
- Support brackets attach directly to framing members, without structural damage
- Time saving system—no holes to drill through joists
- Brackets hold cables in place—open the bracket for easier cable insertion
- Slide-on trough protects and covers cable
- Install additional trough sections as needed and join them together with couplings
- Push-on end caps complete the job



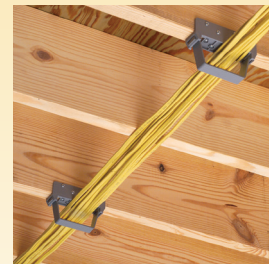
CATALOG NUMBER	UPC/DCI/NAED MFG #018997	DESCRIPTION	STD PKG	DIM A	DIM B	DIM C	DIM D
T205	38060	Wire Tray-5 ft. Lengths	10	4.150	2.000	3.380	60.000
T23A	38065	Angle	10	4.160	2.000	3.380	9.280
T23C	38061	Coupling	10	4.630	2.380	3.570	2.000
T23E	38062	End Cap	10	4.570	2.190	3.570	.760
T23F	38066	Flat Surface Bracket	25	5.750	2.850	3.600	2.190
T23H	38063	Support Bracket	25	5.500	3.880	3.620	1.500
T23T	38067	Tee	10	4.160	2.000	3.380	9.280
T23W	38068	Wall Mount Bracket	10	2.410	5.240	5.970	5.240

PATENTED.



WIRE FILL CHART | MAXIMUM FILL: 40 UNITS

NM Cable w/ Copper Conductors	Fill Units Per Cable	(or) Total Cables of One Size
14/2	1 ea.	40
14/3	1.25 ea.	32
14/4	1.5 ea.	26
12/2	1.5 ea.	26
12/3	1.75 ea.	22
12/4	2 ea.	20
10/2	2 ea.	20
10/3	2.25 ea.	17
8/2	2.25 ea.	17
8/3	2.50 ea.	16
6/2	2.75 ea.	14
6/3	3 ea.	13



Rated for a maximum load of 6 lbs/linear foot of runway

Example: (19)14/2 @1 = 19 Units
 (8)12/2 @1.5 = 12 Units
 (4)10/3 @2.25 = 9 Units
 total = 40 Units

Scan for Video

