


SPF MALLEABLE IRON FITTINGS


Class 150 (Standard)

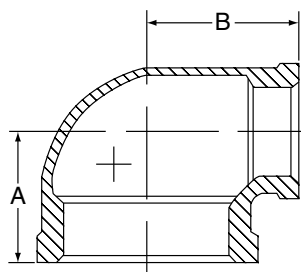
STANDARDS & SPECIFICATIONS

Import Malleable Iron Screwed Fittings (Class 150)


Dimensional:	Fittings:	ASME B16.3	
	Unions:	ASME B 16.39	
	Bushings/Plugs:	ASME B 16.14	
Material:	ASTM A-197		
Galvanizing:	ASTM A-153	(Hot Dip Galvanizing)	
Threading:*	ASME B 1.20.1		
Pressure Rating:	Fittings:	ASME B 16.3	
	Unions:	ASME B 16.39	
	Bushings/Plugs:	ASME B 16.14	
Pressure Testing:	All malleable iron fittings are tested for through wall porosity using an air under water process.		
Agency Approvals:	All malleable iron fittings and unions are UL Listed and FM Approved.		

*British Standard threading per BS 21 available upon request.

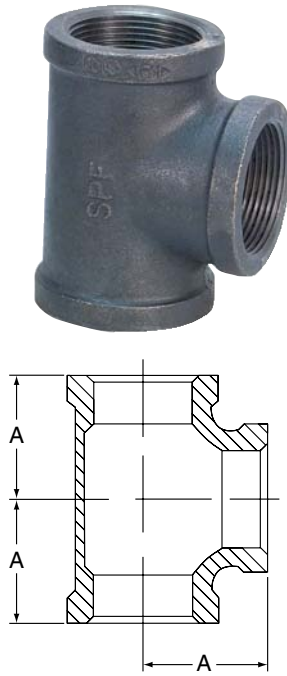
90° REDUCING ELBOW	Size	A	B	Weight
	in	in	in	lbs
	1/4 x 1/8	0.74	0.76	0.08
	3/8 x 1/8	0.81	0.85	0.11
	3/8 x 1/4	0.88	0.90	0.13
	1/2 x 1/4	0.97	0.98	0.16
	1/2 x 3/8	1.04	1.03	0.19
	3/4 x 3/8	1.12	1.13	0.26
	3/4 x 1/2	1.20	1.22	0.29
	1 x 3/8	1.18	1.26	0.35
	1 x 1/2	1.26	1.36	0.42
	1 x 3/4	1.37	1.45	0.47
	1 1/4 x 1/2	1.34	1.53	0.54
	1 1/4 x 3/4	1.45	1.62	0.62
	1 1/4 x 1	1.58	1.67	0.73
	1 1/2 x 1/2	1.38	1.65	0.65
	1 1/2 x 3/4	1.52	1.75	0.74
	1 1/2 x 1	1.65	1.80	0.88
	1 1/2 x 1 1/4	1.82	1.88	1.03
	2 x 1/2	1.50	1.89	0.93
	2 x 3/4	1.60	1.97	1.04
	2 x 1	1.73	2.02	1.28
	2 x 1 1/4	1.90	2.10	1.36
	2 x 1 1/2	2.02	2.16	1.51
	2 1/2 x 1 1/2	2.16	2.51	2.20
	2 1/2 x 2	2.39	2.60	2.55
	3 x 2	2.52	2.89	3.35
	3 x 2 1/2	2.83	2.99	4.12
	4 x 2	2.72	3.43	5.01
	4 x 3	3.30	3.60	6.65



Class 150 (Standard)

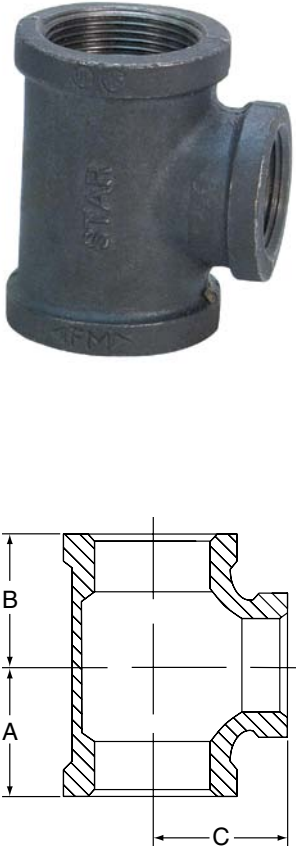
CAP	Size	A	Weight
	<i>in</i>	<i>in</i>	<i>lbs</i>
	1/8 ▲	0.53	0.03
	1/4 ▲	0.63	0.05
	3/8 ▲	0.74	0.07
	1/2	0.87	0.11
	3/4	0.97	0.18
	1	1.16	0.30
	1 1/4	1.28	0.44
	1 1/2	1.33	0.55
	2	1.45	0.85
	2 1/2	1.70	1.49
	3	1.80	2.20
	3 1/2	1.90	3.02
	4	2.08	3.79
6	2.55	8.77	

▲ Supplied in Steel only (Black and Galvanized).

TEE	Size	A	Weight
	<i>in</i>	<i>in</i>	<i>lbs</i>
	1/8	0.69	0.09
	1/4	0.81	0.14
	3/8	0.95	0.21
	1/2	1.12	0.31
	3/4	1.31	0.50
	1	1.50	0.79
	1 1/4	1.75	1.19
	1 1/2	1.94	1.57
	2	2.25	2.43
	2 1/2	2.70	4.33
	3	3.08	6.37
	4	3.79	11.03
	6	5.13	25.98

SPF MALLEABLE IRON FITTINGS

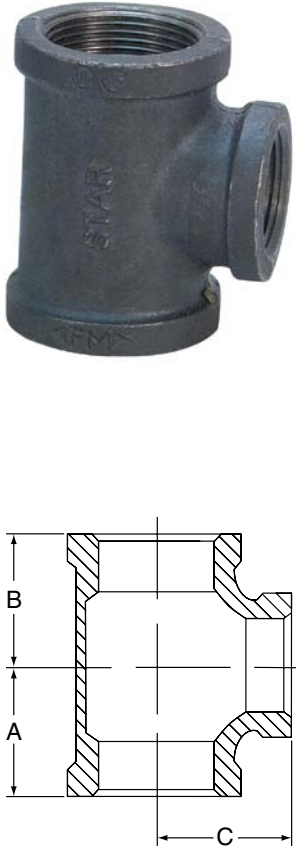
Class 150 (Standard)

REDUCING TEE	Size			A	B	C	Weight	
	in			in	in	in	lbs	
	1/2	1/2	1/4	0.97	0.97	0.98	0.24	
			3/8	1.04	1.04	1.03	0.27	
			3/4	1.22	1.22	1.20	0.37	
			1	1.36	1.36	1.26	0.49	
	3/4	1/2	1/2	1.20	1.12	1.22	0.38	
			3/4	1.31	1.22	1.31	0.45	
		3/4	1/4	1.05	1.05	1.08	0.36	
			3/8	1.12	1.12	1.13	0.39	
			1/2	1.20	1.20	1.22	0.43	
			1	1.45	1.45	1.37	0.62	
	1	1/4	1	1.50	1.18	1.50	0.63	
			1/2	1.26	1.12	1.36	0.48	
		1/2	3/4	1.37	1.22	1.45	0.56	
			1	1.50	1.36	1.50	0.67	
		3/4	1/2	1.26	1.20	1.36	0.53	
			3/4	1.37	1.31	1.45	0.61	
			1	1.50	1.45	1.50	0.71	
			3/8	1.18	1.18	1.27	0.57	
		1	1	1/2	1.26	1.26	1.36	0.62
				3/4	1.37	1.37	1.45	0.69
				1 1/4	1.67	1.67	1.58	0.94
			1 1/2	1 1/2	1.80	1.80	1.65	1.07
	2			2.02	2.02	1.73	1.45	
	1			1.58	1.36	1.67	0.82	
	1 1/4	1/2	1 1/4	1.75	1.53	1.75	0.95	
			3/4	1.45	1.31	1.62	0.75	
		3/4	1	1.58	1.45	1.67	0.87	
			1 1/4	1.75	1.62	1.75	1.00	
			1/2	1.34	1.26	1.53	0.74	
			3/4	1.45	1.37	1.62	0.82	
		1	1	1	1.58	1.50	1.67	0.94
				1 1/4	1.75	1.67	1.75	1.08
3/8				1.26	1.26	1.44	0.78	
1 1/4			1/2	1.34	1.34	1.53	0.84	
			3/4	1.45	1.45	1.62	0.92	
			1	1.58	1.58	1.67	1.04	
1 1/2	2	1 1/2	1.88	1.88	1.82	1.34		
		2	2.10	2.10	1.90	1.65		

**CONTINUED
ON NEXT PAGE.**

SPF MALLEABLE IRON FITTINGS

Class 150 (Standard)

REDUCING TEE		Size		A	B	C	Weight	
		in		in	in	in	lbs	
	1 1/2	1/2	1 1/2	1.94	1.66	1.94	1.24	
		3/4	3/4	1.50	1.26	1.69	0.86	
			1 1/2	1.94	1.75	1.94	1.29	
		1	1	1.65	1.50	1.80	1.08	
			1 1/4	1.82	1.67	1.88	1.23	
			1 1/2	1.94	1.80	1.94	1.35	
		1 1/4	3/4	1.52	1.45	1.75	1.04	
			1	1.65	1.58	1.80	1.17	
			1 1/4	1.82	1.75	1.88	1.32	
			1 1/2	1.94	1.88	1.94	1.45	
		1 1/2	2	2.10	2.10	1.90	1.82	
			1/2	1.41	1.41	1.66	1.04	
			3/4	1.52	1.52	1.75	1.14	
			1	1.65	1.65	1.80	1.27	
			1 1/4	1.82	1.82	1.88	1.43	
		2	1/2	2	2.25	1.88	2.25	1.89
	3/4			2	2.25	1.97	2.25	1.93
	1		1	1.81	1.75	1.87	1.39	
			2	2.25	2.02	2.25	2.00	
	1 1/4		1 1/4	1.90	1.75	2.10	1.64	
			1 1/2	2.02	1.88	2.16	1.80	
			2	2.25	2.10	2.25	2.09	
	1 1/2		1	1.73	1.65	2.02	1.57	
			1 1/4	1.90	1.82	2.10	1.71	
			1 1/2	2.02	1.94	2.16	1.88	
			2	2.25	2.16	2.25	2.21	
	2		2	1/2	1.49	1.49	1.88	1.53
				3/4	1.60	1.60	1.97	1.63
				1	1.73	1.73	2.02	1.78
				1 1/4	1.90	1.90	2.10	1.97
				1 1/2	2.02	2.02	2.16	2.12
		2 1/2		2.60	2.60	2.39	3.15	
	2 1/2	2 1/2	3/4	1.74	1.74	2.32	2.67	
			1	1.87	1.87	2.37	2.84	
			1 1/4	2.04	2.04	2.45	3.09	
			1 1/2	2.16	2.16	2.51	3.29	
	3	3	2	2.39	2.39	2.60	3.65	
			2	2.52	2.25	2.89	3.88	
			3/4	1.87	1.87	2.61	3.72	
			1	2.00	2.00	2.66	3.96	
1 1/4			2.17	2.17	2.74	4.23		
1 1/2			2.29	2.29	2.80	4.45		
2			2.52	2.52	2.89	4.90		
4	4	2 1/2	2.83	2.83	2.99	5.69		
		2	2.74	2.74	3.41	7.52		
		2 1/2	3.05	3.05	3.51	8.51		
		3	3.30	3.30	3.60	9.25		