


# SPF MALLEABLE IRON FITTINGS


## Class 150 (Standard)

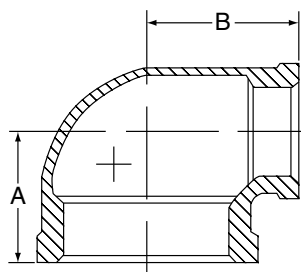
### STANDARDS & SPECIFICATIONS

#### Import Malleable Iron Screwed Fittings (Class 150)

Dimensional:	Fittings:	ASME B16.3	
	Unions:	ASME B 16.39	
	Bushings/Plugs:	ASME B 16.14	
Material:	ASTM A-197		
Galvanizing:	ASTM A-153	(Hot Dip Galvanizing)	
Threading:*	ASME B 1.20.1		
Pressure Rating:	Fittings:	ASME B 16.3	
	Unions:	ASME B 16.39	
	Bushings/Plugs:	ASME B 16.14	
Pressure Testing:	All malleable iron fittings are tested for through wall porosity using an air under water process.		
Agency Approvals:	All malleable iron fittings and unions are UL Listed and FM Approved.		

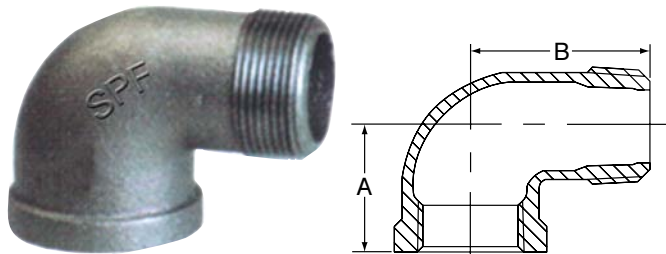
\*British Standard threading per BS 21 available upon request.

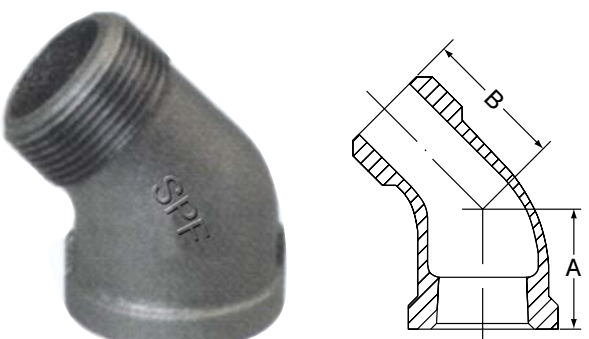
90° REDUCING ELBOW	Size	A	B	Weight
	in	in	in	lbs
	1/4 x 1/8	0.74	0.76	0.08
	3/8 x 1/8	0.81	0.85	0.11
	3/8 x 1/4	0.88	0.90	0.13
	1/2 x 1/4	0.97	0.98	0.16
	1/2 x 3/8	1.04	1.03	0.19
	3/4 x 3/8	1.12	1.13	0.26
	3/4 x 1/2	1.20	1.22	0.29
	1 x 3/8	1.18	1.26	0.35
	1 x 1/2	1.26	1.36	0.42
	1 x 3/4	1.37	1.45	0.47
	1 1/4 x 1/2	1.34	1.53	0.54
	1 1/4 x 3/4	1.45	1.62	0.62
	1 1/4 x 1	1.58	1.67	0.73
	1 1/2 x 1/2	1.38	1.65	0.65
	1 1/2 x 3/4	1.52	1.75	0.74
	1 1/2 x 1	1.65	1.80	0.88
	1 1/2 x 1 1/4	1.82	1.88	1.03
	2 x 1/2	1.50	1.89	0.93
	2 x 3/4	1.60	1.97	1.04
	2 x 1	1.73	2.02	1.28
	2 x 1 1/4	1.90	2.10	1.36
	2 x 1 1/2	2.02	2.16	1.51
	2 1/2 x 1 1/2	2.16	2.51	2.20
	2 1/2 x 2	2.39	2.60	2.55
	3 x 2	2.52	2.89	3.35
	3 x 2 1/2	2.83	2.99	4.12
	4 x 2	2.72	3.43	5.01
	4 x 3	3.30	3.60	6.65

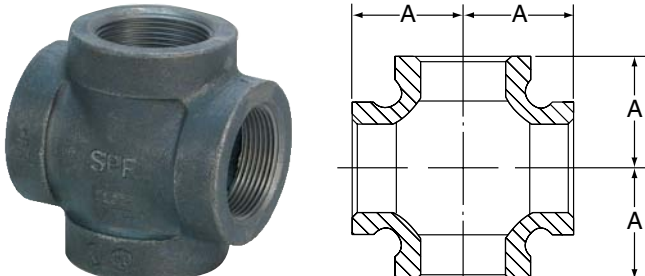


# SPF MALLEABLE IRON FITTINGS

## Class 150 (Standard)

<b>90° STREET ELBOW</b>		<b>Size</b>	<b>A</b>	<b>B</b>	<b>Weight</b>
		<i>in</i>	<i>in</i>	<i>in</i>	<i>lbs</i>
	1/8	0.69	1.00	0.05	
	1/4	0.81	1.19	0.09	
	3/8	0.95	1.44	0.15	
	1/2	1.12	1.63	0.20	
	3/4	1.31	1.89	0.34	
	1	1.50	2.14	0.58	
	1 1/4	1.75	2.45	0.84	
	1 1/2	1.94	2.69	1.12	
	2	2.25	3.26	1.85	
	2 1/2	2.70	3.86	3.28	
	3	3.08	4.51	5.00	
	4	3.79	5.69	9.18	

<b>45° STREET ELBOW</b>		<b>Size</b>	<b>A</b>	<b>B</b>	<b>Weight</b>
		<i>in</i>	<i>in</i>	<i>in</i>	<i>lbs</i>
	1/8	0.63	0.83	0.05	
	1/4	0.73	0.94	0.08	
	3/8	0.80	1.03	0.12	
	1/2	0.88	1.15	0.18	
	3/4	0.98	1.29	0.27	
	1	1.12	1.47	0.44	
	1 1/4	1.29	1.71	0.70	
	1 1/2	1.43	1.88	0.92	
	2	1.68	2.22	1.50	

<b>CROSS</b>		<b>Size</b>	<b>A</b>	<b>Weight</b>
		<i>in</i>	<i>in</i>	<i>lbs</i>
	1/4	0.81	0.17	
	3/8	0.95	0.26	
	1/2	1.12	0.38	
	3/4	1.31	0.61	
	1	1.50	0.95	
	1 1/4	1.75	1.42	
	1 1/2	1.94	1.86	
	2	2.25	2.83	