


SPF MALLEABLE IRON FITTINGS


Class 150 (Standard)

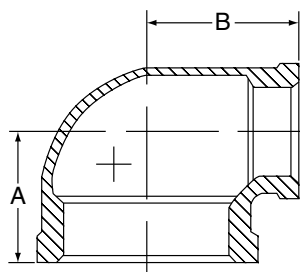
STANDARDS & SPECIFICATIONS

Import Malleable Iron Screwed Fittings (Class 150)

Dimensional:	Fittings:	ASME B16.3	
	Unions:	ASME B 16.39	
	Bushings/Plugs:	ASME B 16.14	
Material:	ASTM A-197		
Galvanizing:	ASTM A-153	(Hot Dip Galvanizing)	
Threading:*	ASME B 1.20.1		
Pressure Rating:	Fittings:	ASME B 16.3	
	Unions:	ASME B 16.39	
	Bushings/Plugs:	ASME B 16.14	
Pressure Testing:	All malleable iron fittings are tested for through wall porosity using an air under water process.		
Agency Approvals:	All malleable iron fittings and unions are UL Listed and FM Approved.		


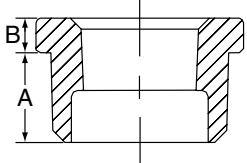
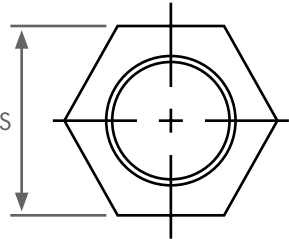
*British Standard threading per BS 21 available upon request.

90° REDUCING ELBOW	Size	A	B	Weight
	in	in	in	lbs
	1/4 x 1/8	0.74	0.76	0.08
	3/8 x 1/8	0.81	0.85	0.11
	3/8 x 1/4	0.88	0.90	0.13
	1/2 x 1/4	0.97	0.98	0.16
	1/2 x 3/8	1.04	1.03	0.19
	3/4 x 3/8	1.12	1.13	0.26
	3/4 x 1/2	1.20	1.22	0.29
	1 x 3/8	1.18	1.26	0.35
	1 x 1/2	1.26	1.36	0.42
	1 x 3/4	1.37	1.45	0.47
	1 1/4 x 1/2	1.34	1.53	0.54
	1 1/4 x 3/4	1.45	1.62	0.62
	1 1/4 x 1	1.58	1.67	0.73
	1 1/2 x 1/2	1.38	1.65	0.65
	1 1/2 x 3/4	1.52	1.75	0.74
	1 1/2 x 1	1.65	1.80	0.88
	1 1/2 x 1 1/4	1.82	1.88	1.03
	2 x 1/2	1.50	1.89	0.93
	2 x 3/4	1.60	1.97	1.04
	2 x 1	1.73	2.02	1.28
	2 x 1 1/4	1.90	2.10	1.36
	2 x 1 1/2	2.02	2.16	1.51
	2 1/2 x 1 1/2	2.16	2.51	2.20
	2 1/2 x 2	2.39	2.60	2.55
	3 x 2	2.52	2.89	3.35
	3 x 2 1/2	2.83	2.99	4.12
	4 x 2	2.72	3.43	5.01
	4 x 3	3.30	3.60	6.65



SPF MALLEABLE IRON FITTINGS

Class 150 (Standard)

HEX BUSHING	Size	A	B	S	Weight	Hex
	<i>in</i>	<i>in</i>	<i>in</i>	<i>in</i>	<i>lbs</i>	
  	3/4 x 1/2	0.63	0.22	1.15	0.11	outside
	1 x 1/8	0.75	0.30	1.12	0.18	inside
	1 x 1/4	0.75	0.30	1.12	0.21	inside
	1 x 3/8	0.75	0.30	1.12	0.20	inside
	1 x 1/2	0.75	0.25	1.42	0.22	outside
	1 x 3/4	0.75	0.25	1.42	0.18	outside
	1 1/4 x 1/4	0.80	0.34	1.12	0.30	inside
	1 1/4 x 3/8	0.80	0.34	1.12	0.28	inside
	1 1/4 x 1/2	0.80	0.34	1.34	0.32	inside
	1 1/4 x 3/4	0.80	0.28	1.76	0.37	outside
	1 1/4 x 1	0.80	0.28	1.76	0.30	outside
	1 1/2 x 1/4	0.83	0.37	1.12	0.38	inside
	1 1/2 x 3/8	0.83	0.37	1.12	0.38	inside
	1 1/2 x 1/2	0.83	0.37	1.34	0.40	inside
	1 1/2 x 3/4	0.83	0.37	1.63	0.45	inside
	1 1/2 x 1	0.83	0.31	2.00	0.46	outside
	1 1/2 x 1 1/4	0.83	0.31	2.00	0.31	outside
	2 x 1/4	0.88	0.41	1.12	0.54	inside
	2 x 1/2	0.88	0.41	1.34	0.56	inside
	2 x 3/4	0.88	0.41	1.63	0.61	inside
	2 x 1	0.88	0.41	1.95	0.65	inside
	2 x 1 1/4	0.88	0.34	2.48	0.80	outside
	2 x 1 1/2	0.88	0.34	2.48	0.66	outside
	2 1/2 x 3/4	1.07	0.44	1.63	0.98	inside
	2 1/2 x 1	1.07	0.44	1.95	1.04	inside
	2 1/2 x 1 1/4	1.07	0.44	2.39	1.10	inside
	2 1/2 x 1 1/2	1.07	0.44	2.68	1.38	outside
	2 1/2 x 2	1.07	0.37	2.98	0.97	outside
	3 x 1	1.13	0.48	1.95	1.48	inside
	3 x 1 1/4	1.13	0.48	2.39	1.57	inside
	3 x 1 1/2	1.13	0.48	2.68	1.62	inside
	3 x 2	1.13	0.48	3.28	2.10	outside
3 x 2 1/2	1.13	0.40	3.86	1.84	outside	
3 1/2 x 3	1.18	0.43	4.62	2.10	outside	
4 x 3/4	1.22	0.67	1.63	2.48	inside	
4 x 1	1.22	0.60	1.95	2.60	inside	
4 x 1 1/4	1.22	0.60	2.39	2.74	inside	
4 x 1 1/2	1.22	0.60	2.68	2.81	inside	
4 x 2	1.22	0.60	3.28	2.91	inside	
4 x 2 1/2	1.22	0.60	3.86	2.98	inside	
4 x 3	1.22	0.50	4.62	2.93	outside	