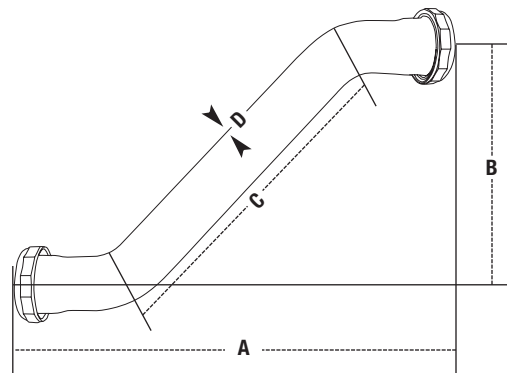
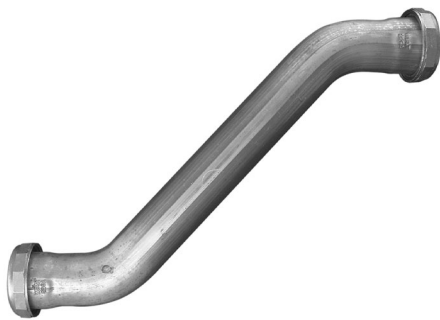


Metal Double Offsets



MODEL	✓ TO SUBMIT	DESCRIPTION	DIMENSIONS								FINISH
			A		B		C		D		
			<i>in.</i>	<i>mm.</i>	<i>in.</i>	<i>mm.</i>	<i>in.</i>	<i>mm.</i>			
637 221		1 1/4"	9 1/2	241	5 1/4	133	7	178	22 GA.	Rough Brass	
638 221		1 1/2"	9 1/2	241	5 1/4	133	7	178	22 GA.	Rough Brass	
637 223		1 1/4"	9 1/2	241	5 1/4	133	7	178	22 GA.	Chrome	
638 223		1 1/2"	9 1/2	241	5 1/4	133	7	178	22 GA.	Chrome	
637 203		1 1/4"	9 1/2	241	5 1/4	133	7	178	20 GA.	Chrome	
638 203		1 1/2"	9 1/2	241	5 1/4	133	7	178	20 GA.	Chrome	
637 171B		1 1/4" with Brass Nuts	9 1/2	241	5 1/4	133	7	178	17 GA.	Rough Brass	
637 173B		1 1/4" with Brass Nuts	9 1/2	241	5 1/4	133	7	178	17 GA.	Chrome	
638 171B		1 1/2" with Brass Nuts	9 1/2	241	5 1/4	133	7	178	17 GA.	Rough Brass	
638 173B		1 1/2" with Brass Nuts	9 1/2	241	5 1/4	133	7	178	17 GA.	Chrome	



815 Chestnut Street • N. Andover, MA 01845
 Tel: 978.688.1811 Fax: 978.794.1848
www.wattsbrass-tubular.com

Watts product specifications in U.S. customary units and metric are approximate and are provided for reference only. For precise measurements, please contact Watts Technical Service. Watts reserves the right to change or modify product design, construction, specifications, or materials without prior notice and without incurring any obligation to make such changes and modifications on Watts products previously or subsequently sold.